



ECW and ECWS Series

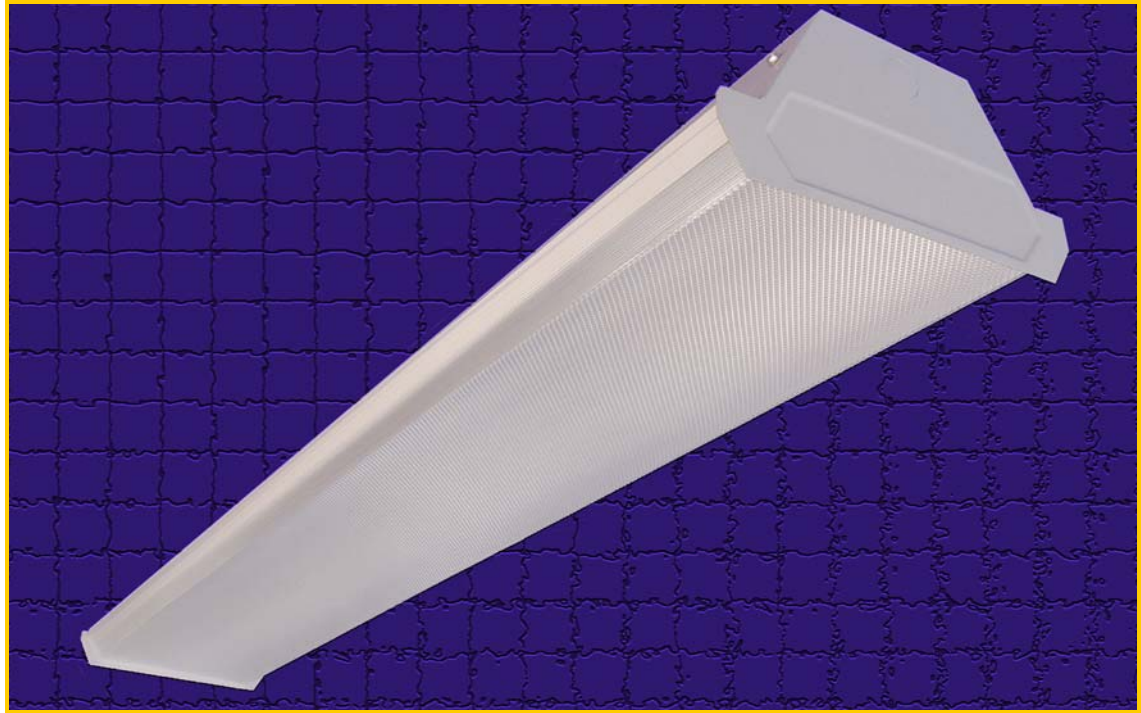
"Classroom" Surface Wrap Around Units

Application: This "Classroom" surface mounted wrap around unit is designed for use in most commercial, residential, and institutional type applications. The unit provides maximum light output and is available in 1, 2, or 3 lamp options with or without a specular mirror.

Construction: Housing is designed from heavy gauge die formed and is finished in baked white enamel or polyester powder coating for maximum durability and reflectivity. Clear acrylic prismatic wrap around diffuser snaps on and off for easy maintenance.

Electrical: All units are furnished with UL Listed Class P thermally protected ballast. Fixtures meet requirements for UL Luminaire Standard # 1598. All units comply with National Energy Standards.

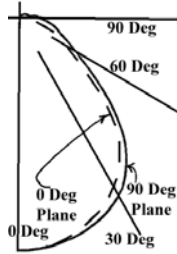
Mounting: Unit is equipped with knockouts and holes for pendant or surface mounting. This Fixture can be mounted individually or continuous run.



Coefficients Utilization Zonal Cavity Method

RF	20			30			40			50		
RC	80%			70%			50%			30%		
RW	70	50	30	70	50	30	10	50	30	10	50	30
0	80	80	80	88	78	78	78	73	73	73	73	73
1	74	72	68	80	69	67	64	65	63	62	62	62
2	68	63	59	66	61	58	54	58	55	53	53	53
3	63	56	51	63	55	51	47	53	49	46	46	46
4	58	51	45	56	49	44	41	47	43	40	40	40
5	53	45	40	53	44	39	35	42	38	34	34	34
6	49	41	35	48	40	35	31	38	34	30	30	30
7	46	37	31	47	36	31	27	35	30	27	27	27
8	42	33	28	44	33	27	24	31	27	23	23	23
9	39	30	24	43	29	24	21	28	24	20	20	20
10	36	27	22	42	27	22	18	26	21	18	18	18

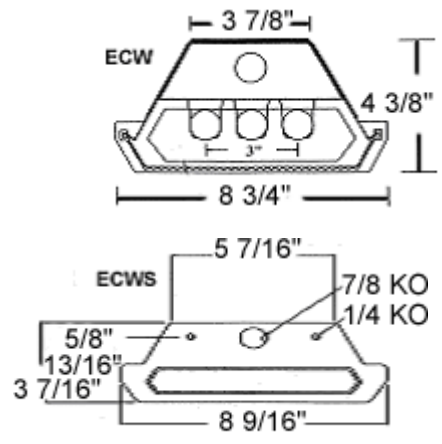
1 Tube Photometric Curve



Fixture Length

T12	T8	T5	Length
F40T12	F32T8	F28T5	48"
F96T12	F96T8	---	96"

For Tandem Units:
Multiply lamp length above by lamp quantity



Maximum Weight = 18 lbs. / 48" 35 lbs. / 96"

Ordering Information

Specifications Subject To Change Without Notice

Model	# Lamps	Lamp Type	Ballast	Voltage	Options
ECW -	2	32	E		
ECW (Standard) 4.50" deep	1 = One 2 = Two 3 = Three	T5 Lamps 28T5 = 28W 46" T8 Lamps 32 = 32W 48 96T8 = F96T8 T12 Lamps 40 = 40W 48" 96 = F96T12	M = Magnetic E = Electronic .88 BF E-LW = Electronic .77 BF E-O = Electronic 1.18 BF	Blank = 120V 277 = 277 V MV = Multi Volt	REF = Specular Mirror Reflector EMB = Emergency Ballast
ECWS (Shallow) 3.50" deep	Single Row Tandem 21 = Two Tube 31 = Three Tube 41 = Four Tube Double Row Tandem 22 = Four Tube Triple Tube Tandem 23 = Six Tube				

