

Project:	
Type:	
Catalog #:	



STANDARD



The premium-performance CBPLED22-32W-PRM-CP is a low-profile 2' x 2' LED center basket luminaire, which offers industry-leading lumens per watt (LPW). The CBPLED22-32W-PRM-CP is designed as a direct replacement for 2' x 2' fluorescent luminaires installed in grid or plaster ceilings. It is designed to deliver general ambient lighting in a variety of indoor settings, including schools, offices, hospitals and stores, and is the perfect choice for both new construction and retrofits. This high-efficacy luminaire provides long-life and uniform illumination, as well as standard 0-10vdc dimming capability.

FEATURES

- Available in 3000k (warm white), 3500k (warm/neutral white), 4000k (neutral white) & 5000k (cool white) color temperatures.*
- Long-life LEDs provide 199,000 hours of operation with at least 70% of initial lumen output (L_{70}).*
- Provides 4,195 luminaire lumens (131 lumens per watt, LPW) at 3000k; 4,293 luminaire lumens (134 LPW) at 3500k; 4,371 luminaire lumens (137 LPW) at 4000k; and 4,527 luminaire lumens (141 LPW) at 5000k.*
- Uniform illumination with no visible LED pixelation.
- Universal 120-277 AC voltage (50-60Hz) is standard.
- 0-10vdc dimming capability is standard.
- Power factor > 0.90.
- Total harmonic distortion < 20%.
- Color rendering index > 80.
- Steel housing and acrylic lens.
- Easy installation in new construction or retrofit. Fits in standard 2' x 2' grid ceilings.
- Standard earthquake clips provide secure installation in grid ceilings.
- Standard mounting options include recessed mounting in grid ceilings, or suspended mounting using attached hanging brackets. For other mounting options, see Mounting Kits.

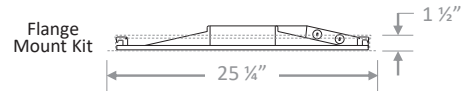
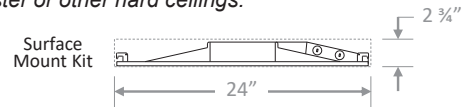
* Contact factory for other color temperatures and lumen packages.
** L_{70} hours are IES TM-21-11 calculated hours.

WARRANTY & LISTINGS

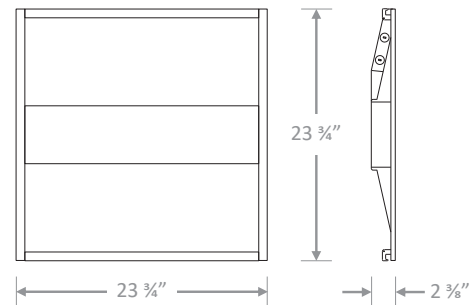
- UL listed for damp locations and insulated ceilings (IC-rated) for use in ambient temperatures from -20°C to 40°C (-4°F to 104°F).
- DLC Premium listed.
- Flicker-free per IEEE1789-2015 (low risk of adverse effects of flicker at 100% light output level).
- Complies with RoHS (Restriction on Hazardous Substances) requirements.
- Complies with FCC Part 15, part B.
- Complies with IEEE C.62.41-1991, input transient surge protection (2kV).
- 5-year warranty of all electronics and housing.

MOUNTING KITS

- Optional Surface Mount Kits (LEDSMKT-22) provide for installation on plaster or other hard ceilings.
- Flange Mount Kit (FLANGEKIT22-ET) mounts above plaster or other hard ceilings, and the center basket is mounted flush to the ceiling.



DIMENSIONS



Weight: 6.2 lbs.

ORDERING INFORMATION

Example: CBLED22-32W-3KMV-PRM-CP + FLANGEKIT22-ET + LEDPNL-CMK

Model	Luminaire Watts	Luminaire Lumens	Lumens/Watt	Color Temp.	Input Voltage	DLC Listing	Options (Order Separately)
CBPLED22-32W	32	4,195 4,293 4,371 4,527	131 134 137 141	3K = 3000k 35K = 3500K 4K = 4000k 5K = 5000k	MV = Multi-volt (120-277V)	PRM-CP = DLC Premium	LEDSMKT-22 = Surface Mounting Kit for 2x2 FLANGEKIT22-ET = Flange Mounting Kit for 2x2 LEDPNL-CMK = Cable Mounting Kit, Quantity 6, 1 meter long, 1/16" diameter, with spring clips & adjustable, locking ceiling attachment

Specifications Subject To Change Without Notice

K-B Lighting Mfg. Co., Inc

2515 Metropolitan Drive Treose PA 19053

P: (215)953-6663 F: (215)953-6710 E: bkessel@kblighting.com

www.kblighting.com