

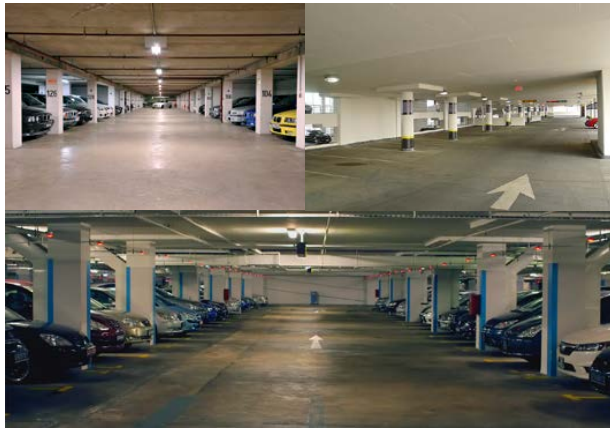
Project:	
Type:	
Catalog #:	



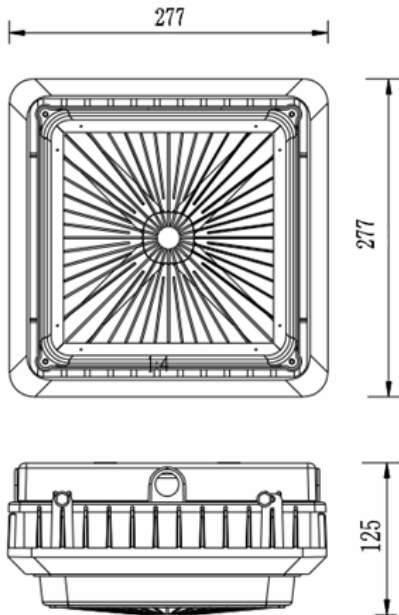
P/N: PG02-100WAANA1-aaK

Note:

PG02 = Product series, LED Parking Garage Light
 100W = Rating Power, 100W
 The first A = Hongli 2835
 The second A = Diffuser cover type, A represent Stripe PC cover
 N = The lens have no reflector
 A1 = Version number
 aaK = CCT, 40K=4000K, 45K=4500K, 50K=5000K, 57K=5700K



DIMENSIONS



ADVANTAGE

- UL cUL DLC certificate.
- IP65 Internal driver, Input voltage 100-277Vac.
- Output constant current lever can be adjusted through output cable with 0-10V.
- No UV or IR in the beam.
- Easy to install and operate.
- Energy saving, Long lifespan.
- Light is soft and uniform, Safe to eyes.
- Instant start, NO flickering, NO humming.
- Green and eco-friendly without mercury.

APPLICATION

- Widely used in underground parking lot, garage and so on..

Specifications Subject To Change Without Notice