

AART 2X2 & 2X4 Recessed LED

Project:	
Type:	
Catalog #:	



RECESSED LED FIXTURES

STANDARD



The ARRT series has been designed as a completely assembled fixture. It is designed to replace fluorescent light fixtures. The ARRT series is designed to have even illumination from end to end.

FEATURES

- Low overall height allows for installation in tight applications.
- Glare-free polycarbonate lens is removable for ease of cleaning.
- ARRT Series is available in both 2x2 and 2x4 configurations, as well as 2 CCT options (3500K and 4000K).
- Frosted polycarbonate

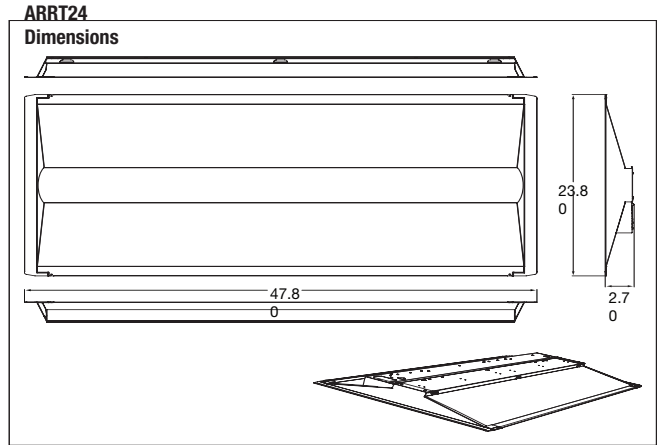
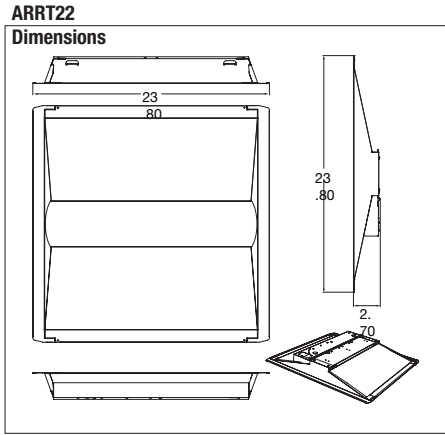
WARRANTY & LISTINGS

- cULus listed for damp locations in ambient temperatures from -20°C to 50°C (-4°F to 122°F).
- DLC premium approved.
- Complies with RoHS (Restriction on Hazardous Substances) requirements
- 5-year warranty of all electronics and housing.

MOUNTING OPTIONS

- Installs in standard NEMA 15/16" Type G or NFG T-Grid systems

DIMENSIONS



Weight: 2x2= 7 lbs 2x4 = 13lbs.

* Contact factory for other color temperatures and lumen packages.

ORDERING INFORMATION

ORDERING EXAMPLE: ARRT-22-40K

Assembled Fixture	Product Line	Product Size	Color Temperature	Wattage	Lens Type
A	RRT	22 (2'x2') 24 (2'x4')	35K 40K	25=25W (2') 36=36W (4')	P= Polycarbonate
A	RRT	22	35K	25	P

Specifications Subject To Change Without Notice