

BRK-LED34-DL-ECO 3”/4” SURFACE LED DOME LIGHT

Project:	
Type:	
Catalog #:	

STANDARD



APPLICATIONS

4” surface dome light solution with integrated LED power supply and thermal management system combined in a single compact unit designed to fit most standard 3”, 4” recessed cans, also work in 4” junction box.

ILLUMINATION

- Long life LEDs with up to 50,000 hours at 70% lumen maintenance.
- Choice of 3000K (±145), 4000K (±245), color temperature with 80 CRI.
- Produces 700 lumens output from luminaire.
- Uses 1.18W high power, high quality LEDs.

ELECTRICAL

- Dimmable to 10% with most dimmers.
- | | |
|--------------------|---------------|
| Lutron Maestro C-L | MACL-153MR |
| Lutron Skylark C-L | SCL-153P |
| Leviton Sureslide | Cat.No.6674 |
| Lutron | PD-6WCL |
| Legrand Harmony | HCL453PTCCCV6 |
- Save 75% compared to incandescent sources.
 - High efficiency driver with a power factor ≥ .90 with input power of 120V, 50-60Hz.
 - Built-in LED Driver.
 - Power consumption of 8 watts.
 - Operation temperature of - 20°C- 40°C (-4°F- 104°F).

MOUNTING

- Easy installation with 3” to 4” recessed cans.
- Cut-off and strip, for 4” junction box mounting, using mounting bracket.



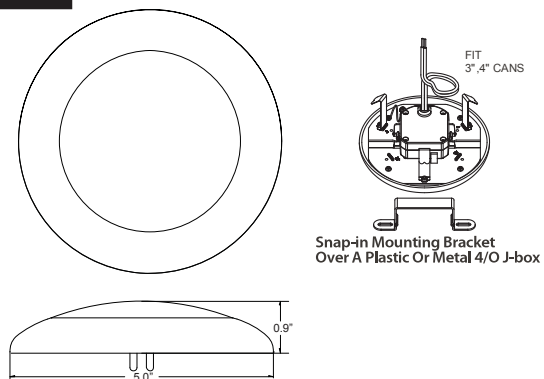
HOUSING

- Surface mount dome used with 3”, 4” housings.
- Compatible with insulated, non-insulated, and air-tight ceilings.
- Durable thermoplastic construction.
- E26 medium screw-base Edison connector provides easy retrofit of incandescent housings.

WARRANTY/LISTING

- Tested in accordance with IESNA LM79 & LM80.
- ETL Listed for wet location US and Canada.
- Energy Star certified.
- Passes FCC Class B.
- Meets State of California Title 24 requirements.
- Five year warranty on all electronics and housing.

DIMENSIONS



ORDERING INFORMATION

MODEL	WATTS	KELVIN RATING		LUMENS
RK-LED34-DL-3K-ECO	DL Dome Light	3K	3000K	700
RK-LED34-DL-4K-ECO	DL Dome Light	4K	4000K	700

Specifications Subject To Change Without Notice