

Project:	
Type:	
Catalog #:	



STANDARD



The LEDWPAFC series is a contemporary, commercial-grade area luminaire. It features a heavy-duty, spring-loaded hinge, which provides the flexibility of focusing light near the mounting surface or projecting light forward. With a die cast aluminum housing and a polycarbonate lens, the LEDWPAFC series will stand up to many years of punishing environmental conditions. High-efficacy, long-life LEDs provide both energy and maintenance cost savings compared to traditional, HID area lights.

FEATURES

- Available in 3000k (warm white), 4000k (neutral white) and 5000k (cool white) color temperatures.*
- Long-life LEDs provide 69,000 hours of operation with at least 70% of initial lumen output (L₇₀).**
- LEDWPCA30W delivers 3,099 lumens & 111 lumens per watt (LPW) at 3000k; 3,239 lumens & 116 LPW at 4000k; and 3,298 lumens & 118 LPW at 5000k.*
- LEDWPCA50W delivers 4,920 lumens & 100 LPW at 3000k; 5,193 lumens & 106 LPW 4000k, and 5,287 lumens & 108 LPW at 5000k.*
- Heavy-duty, spring-loaded hinge provides the flexibility of focusing light near the mounting surface or projecting light forward.
- Universal 120-277 AC voltage (50-60Hz) is standard.
- Watertight, compression-type electrical connectors prevent moisture intrusion.
- Power factor > 0.90.
- Total harmonic distortion < 20%.
- Color rendering index > 80.
- Die cast aluminum housing with durable, dark bronze, powder coat paint.
- Durable, UV-resistant polycarbonate lens.
- Removable, threaded plugs for side attachment of 1/2" rigid electrical conduit, or for button photocells.
- Easy installation in new construction or retrofit.

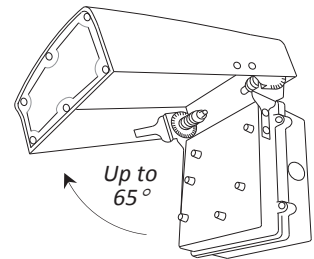
* Contact factory for other color temperatures and lumen packages.
 ** L₇₀ hours are IES TM-21-11 calculated hours.

WARRANTY & LISTINGS

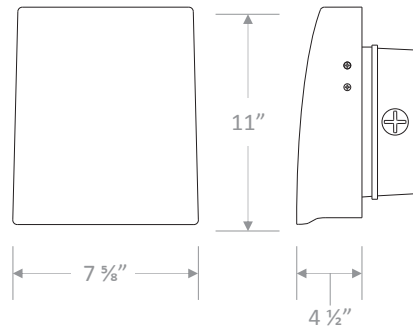
- cULus listed for wet locations (-20°C to 40°C / -4°F to 104°F).
- IP65 rated.
- DLC standard approved.
- Complies with FCC Part 15 class B.
- Complies with EN61000-4-5, surge immunity (1kV).
- 5-year warranty on all electronics and housing.

VERTICAL ADJUSTABILITY

- Heavy-duty, spring-loaded hinge provides vertical adjustability of the luminaire housing up to 65°.
- Adjustability provides for a range of lighting effects from full-cutoff downlight to forward throw.
- Knurled notches securely retain rotated position even in demanding environments.



DIMENSIONS



Weight: 4.0 lb.

ORDERING INFORMATION

Model	Color Temperature	Luminaire Lumens	Luminaire Watts	Lumens Per Watt
LEDWPAFC30W-3K	3000k	3,099	28	111
LEDWPAFC0W-4K	4000k	3,239	28	116
LEDWPAFC30W-5K	5000k	3,298	28	118
LEDWPAFC50W-3K	3000k	4,920	49	100
LEDWPAFC50W-4K	4000k	5,193	49	106
LEDWPAFC50W-5K	5000k	5,287	49	108

Specifications Subject To Change Without Notice