

Project:	
Type:	
Catalog #:	



STANDARD



This covered corner wall unit is designed to provide maximum lumen output in areas such as hallways, bathrooms, kitchens, stairways, and hospitals. An assortment of options in either single or double lamp allows this utility wall and surface mounted unit to satisfy a variety of lighting needs.

Construction:

- Housing is designed from heavy gauge die formed steel and finished in either baked white enamel or polyester powder coating. Socket plate is riveted to housing adding to the structural support of the fixture. Lens is extruded white acrylic.

Electrical

All units are furnished with UL Listed Class P thermally protected ballast. Other voltages are available upon request. Fixtures meet requirements for UL Luminaire Standard # 1598. All units comply with National Energy Standard. All units are UL certified damp location M 59006648

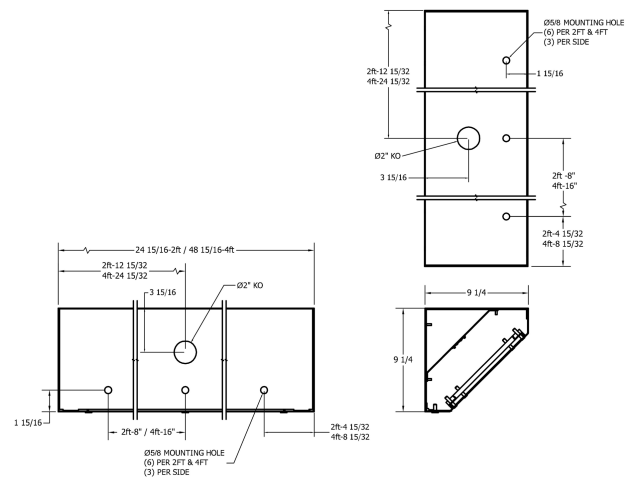
Mounting

Unit is equipped with holes and 7/8" knockouts in housing for surface mounting. Fixture may be mounted individually or with optional joiner bands may be used in a continuous run.

WARRANTY & LISTINGS

- 5-year warranty of all electronics and housing.
- UL Certified for damp location

DIMENSIONS



Ordering Guide

Max weight = 12lbs / 48"

CM - LED

Series
CM- LED

Size
2 = 2FT
4 = 4FT

Lumens
2FT
3166 (17W)
4350 (24W)
5470 (31W)
6452 (39W)

Color
3K
35K
4K
5K

Opti

- EMBMA (^!*\^ } & A a a o a
- OCC-E = External Occupancy Sensor
- OCC-I= Internal Occupancy sensor
- BI-LEV= Bi-level dimming system
- O = grounded outlet
- TOG = Toggle Switch
- PULL= Pull chain switch
- NL= Night Light
- 3WAY= 3 way system
- PRIS = Prismatic lens
- DL= Down light only
- POLY= Polycarb lens
- FR = Frosted lens over LED boards

*\$!%j ~ck 'j c' hU[Y'X]a a]b['ghUbXUf' dYf'
Zl hi fY'

*<][\ Yf'UbX'W grca ""i a Yb'dUW U[Yg'
Uj Uj'UV'Yi dcb'fYei Ygh'

4FT
3159 (20W)
4480 (30W)
5684 (42W)
6318 (40W)
8960 (60W)
11368 (84W)