

# CWLED44PS-4-8CSA

## LED WRAP FIXTURE

### DESCRIPTION

4ft LED Curved Wrap Fixture | 120-277V Input | Frosted Lens | 0-10V Dimming

### APPLICATION

Used for commercial, retail, and residential applications



**5YEAR**  
WARRANTY



### PRODUCT FEATURES

- Features Color Select technology. Adjust CCT between 3500K, 4000K, or 5000K
- Features Power Select technology. Adjust power between 44W, 28W, and 18W
- Powered by 0 –10V dimming LED drivers with 12V Aux
- Ambient operating temperature: –20°C/– 4°F to 45°C/113°F
- Compatible with SmartSafe emergency backups
- Luminaire is suitable for installation within a clothes closet storage space
- LED lifetime: L70 >100,000 hours @ 25°C fixture ambient
- Low optical flicker
- THD: < 20%
- Power factor > 0.95

### PERFORMANCE SPECIFICATIONS

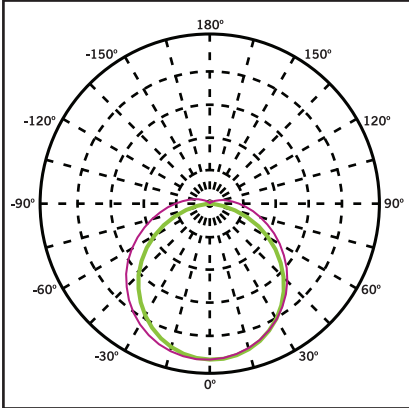
| Catalog Number   | Input Voltage | Wattage | Color Temperature | Lumen Output | Efficacy | CRI  | Power Factor | Lifetime  |
|------------------|---------------|---------|-------------------|--------------|----------|------|--------------|-----------|
| CWLED44PS-4-8CSA | 120–277V      | 44W     | 3500K             | 5,984        | 136 lm/W | > 80 | > 0.90       | 50,000hrs |
|                  |               |         | 4000K             | 6,072        | 138 lm/W |      |              |           |
|                  |               |         | 5000K             | 6,116        | 139 lm/W |      |              |           |
|                  |               | 28W     | 3500K             | 4,004        | 143 lm/W |      |              |           |
|                  |               |         | 4000K             | 4,032        | 144 lm/W |      |              |           |
|                  |               |         | 5000K             | 4,060        | 145 lm/W |      |              |           |
|                  |               | 18W     | 3500K             | 2,628        | 146 lm/W |      |              |           |
|                  |               |         | 4000K             | 2,646        | 147 lm/W |      |              |           |
|                  |               |         | 5000K             | 2,664        | 148 lm/W |      |              |           |

# CWLED44PS-4-8CSA

## LED WRAP FIXTURE

### PHOTOMETRIC SPECIFICATIONS

#### POLAR CANDELA DISTRIBUTION



Maximum Candela = 1846.0  
Located at Horizontal Angle = 0,  
Vertical Angle 0

1. **Violet** Vertical Plane through Horizontal Angles (90-270)
2. **Green** Vertical Plane through Horizontal Angles (0-180)

---

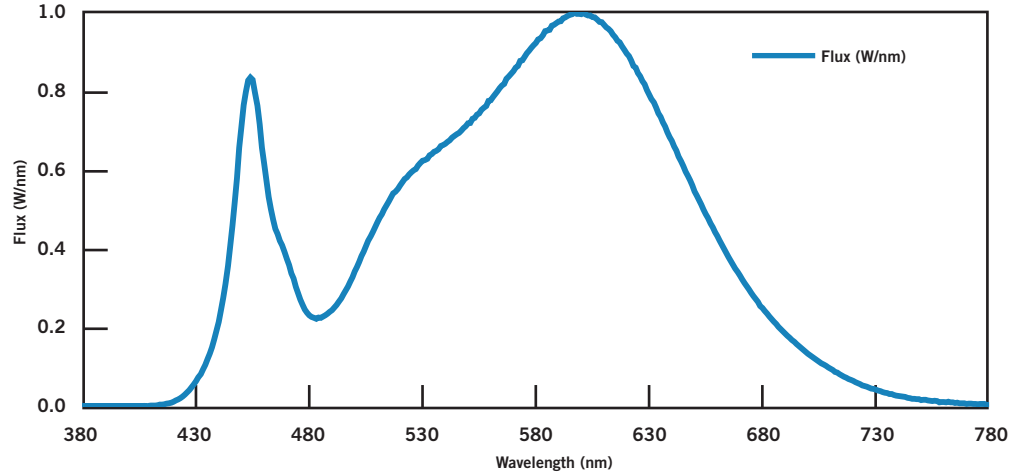
**Beam Angle: 220°**

---

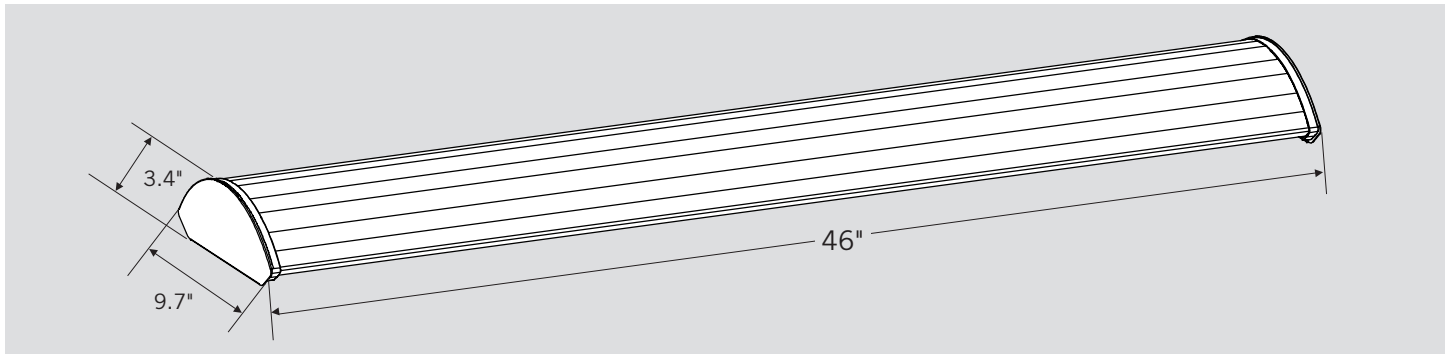
**Visible Light Area: 325°**

---

#### RELATIVE SPECTRAL POWER DISTRIBUTION



### PHYSICAL SPECIFICATIONS



# CWLED44PS-4-8CSA

## LED WRAP FIXTURE

### ACCESSORIES (SOLD SEPARATELY)

| ORDER CODE   | DESCRIPTION  |
|--------------|--|
| MW3-UV-KO-K2 | Microwave Sensor Kit, Includes 120-277V input to 12V DC convertor, 12V input sensor head, Nomex Sleeve, Extension Neck |

### ORDERING INFORMATION

| ORDER CODE       | PACK QTY. | EASY CODE | UPC |
|------------------|-----------|-----------|-----|
| CWLED44PS-4-8CSA | TBD       | JWD-82    |     |

### CATALOG NUMBER BREAKDOWN

# CWLED44PS-4-8CSA-VDIM

|   |   |   |  |   |   |   |   |   |    |
|---|---|---|--|---|---|---|---|---|----|
| 2 | 3 | 4 |  | 5 | 6 | 8 | 7 | 9 | 10 |
|---|---|---|--|---|---|---|---|---|----|

- 2 LED Curved Wrap Fixture
- 3 Wattage
- 4 Power Select
- 5 4' Nominal Length
- 6 800 Series
- 7 Color Select
- 8 Color Select Designation
- 9 0-10V Dimming

#### 10 Sensor Options

|     |                                      |
|-----|--------------------------------------|
|     | No option                            |
| /MW | Microwave Occupancy Sensor Installed |

- 10 Sensor Options