

Project	
Type	
Catalog #	

Overview

This covered chrome channel can be mounted both vertically and horizontally and comes in a variety of sizes for a wide range of uses.

It is ideal for use in bathrooms, kitchens, powder rooms, under cabinets, or any area where high-quality and low-cost lighting is preferred.



Standard



CONSTRUCTION

Housing is designed from heavy gauge die formed steel and plated in a high-polished chrome for high-grade appearance. Off and on switch is standard in end plate. Snap-in grounded convenience outlet is available upon request. End plates are secured to fixture by acorn nuts. Lens is extruded white acrylic.

ELECTRICAL

All units are furnished with UL Listed Class P thermally protected led drivers. Other voltages are available upon request. Fixtures meet requirements for UL Luminaire Standard # 1598. All units comply with National Energy Standard. All units are UL certified damp location. Operates at a voltage of 120-277 (public spaces) with input voltage fluctuations of plus/minus 10 percent.

- Power Factor (PF) greater than or equal to 0.90 at full input power and across specified dimming range.
- Maximum Total Harmonic Distortion (THD) less than 20 percent at full input power and across specified dimming range.
- Operates for at least 50,000 hours at maximum case temperature and 90percent non-condensing relative humidity.
- Withstands Category A surges of 4 kV without impairment performance.
- Integral thermal protection that reduces the output power to protect the driver and light source from damage if the case temperature approaches or exceeds the driver's maximum operating temperature.
- 47 CFR 15. Complies with the requirements of the Federal Communications Commission (FCC) rules and regulations, Non-Consumer (Class A) for EMI/RFI (conducted and radiated).
- Class A sound rating.
- Restriction of Hazardous Substances (RoHS) compliant.

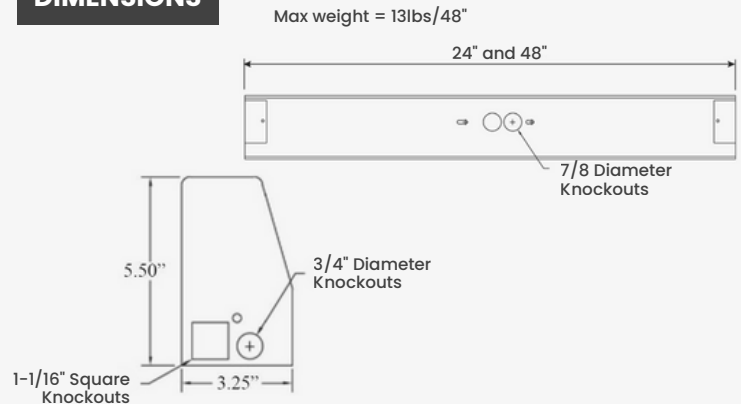
WARRANTY & LISTINGS

- 5-year warranty of all electronics and housing.
- UL Certified for damp location
- 50,000 hours of L70 LED Life
- CRI >80 (>90 AVAILABLE UPON REQUEST)

MOUNTING

Holes and knockouts are provided in units for surface or wall mounting either vertically or horizontally.

DIMENSIONS



ORDERING GUIDE

	Series	Size	Lumens	Color Temp	Options
* 0-10v low voltage dimming standard per fixture	AP LED	18 = 18"	2 FT 3166 (17W) 4350 (24W) 5470 (31W) 6452 (39W)	30K - 3000K 35K - 3500K 40K - 4000K 50K - 5000K	EMER = Emergency driver O = Grounded Outlet TOG = Toggle Switch ROC = Rocker Switch PULL = Pull Switch 3WAY = 3 Way system FR = Frosted lens over LED Boards
* Higher and custom lumen packages available upon request		2 = 2 FT 3 = 3 FT 4 = 4 FT	4 FT 3220 (17W) 4480 (24W) 5705 (30W) 6910 (37W) 8640 (48W) 11797 (70W)		
* Call Factory for lumen options of 18" and 3FT models					