



WPLED100-M2-8XX

ARCHITECTURAL 100W FULL-CUTOFF LED WALL PACK

DESCRIPTION

Architectural 100W Full-Cutoff LED Wall Pack | 120–277V
 Input | 4000–5000K | Medium-Size Bronze Housing | Wide
 Optic Lens

APPLICATION

Building Mount for exterior illumination (perimeters,
 pathways, loading docks, and other general security lighting
 requirements)



PRODUCT FEATURES

- Architectural full-cutoff design improves the appearance of building exteriors and optimizes functional light distribution
- Heavy-duty, die-cast aluminum housing features modern aesthetics while retaining (5) available 1/2" threaded conduit hubs: (1) on back and (1) on all four sides
- Powered by 0–10V dimming LED drivers
- Dark Sky friendly performance, eliminates undesirable sky glow and glare
- Features one translucent 3/4" threaded plug with anti-yellowing agent for use with photocell accessory WPLED-PS-UV-KO
- Precision-crafted optical lens provides wide distribution pattern ideal for increased fixture spacing and uniformity
- Covers footprint of mid-size HID wallpacks
- Ambient operating temperature: –40°C/–40°F to 50°C/122°F
- UL listed for wet locations, IP65
- 0–10V dimming, 10% min
- Power Factor: >0.95
- THD: <20%
- LED chip lifetime: L70 >100,000 hrs @ 25°C/77°F ambient fixture temp
- Meets FCC Part 15, Part B, Class A standards for conducted and radiated emissions
- Fixture impact rating IK08

ELECTRICAL SPECIFICATIONS

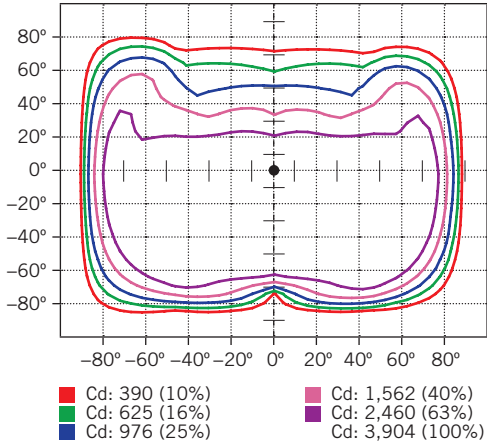
Catalog Number	Wattage	Lumens	Lumens Below 90°	Dimming	CCT	Efficacy	CRI	Housing Color	Input Voltage	Rated Life	Legacy Equivalent
WPLED100-M2-840	100W	12500 lm	12410 lm	0–10V	4000K	125 lm/W	>80	Bronze	120–277V	50,000 hrs	400W MH
WPLED100-M2-850		13000 lm	12900 lm		5000K	130 lm/W					

WPLED100-M2-8XX

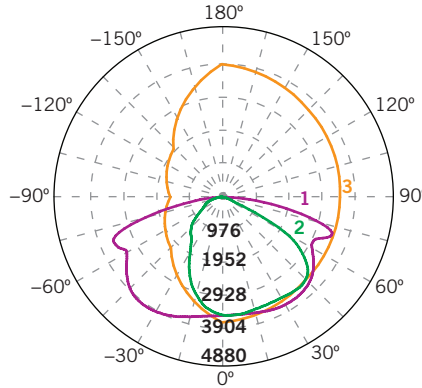
ARCHITECTURAL 100W FULL-CUTOFF LED WALL PACK

PHOTOMETRIC SPECIFICATIONS

ISOCANDELA PLOT



LUMINOUS INTENSITY DISTRIBUTION



Average diffuse angle (50%): **124.7°**

1 Violet C0-C180

2 Green C90-C270

3 Orange G36

Unit: cd

FLUX DISTRIBUTION

Zone	Lumens	% Luminaire
Forward Light	8,446 lm	64.1%
0°-30°	1,534 lm	11.6%
30°-60°	4,104 lm	31.1%
60°-80°	2,553 lm	19.4%
80°-90°	255 lm	1.9%
Back Light	4,633 lm	35.1%
0°-30°	1,263 lm	9.6%
30°-60°	2,156 lm	16.4%
60°-80°	1,094 lm	8.3%
80°-90°	119 lm	0.9%
Up Light	102 lm	0.8%
90°-100°	13 lm	0.1%
100°-180°	89 lm	0.7%

BUG* Rating

Asymmetrical Luminaire Types

Type I, II, III, IV B3 U5 G3

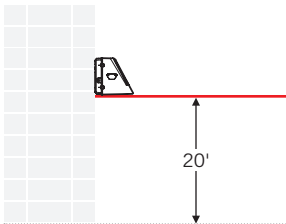
Quadrilateral Symmetrical Luminaire Types

Type V, Area Light B3 U5 G2

* Backlight, Uplight, Glare

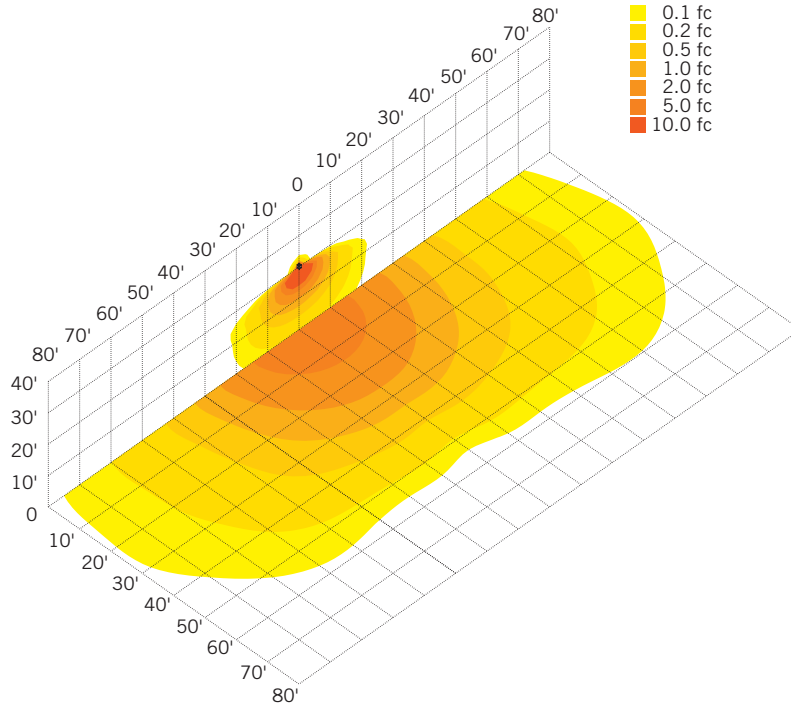
MOUNTING

Side view



LIGHT DISTRIBUTION PATTERN

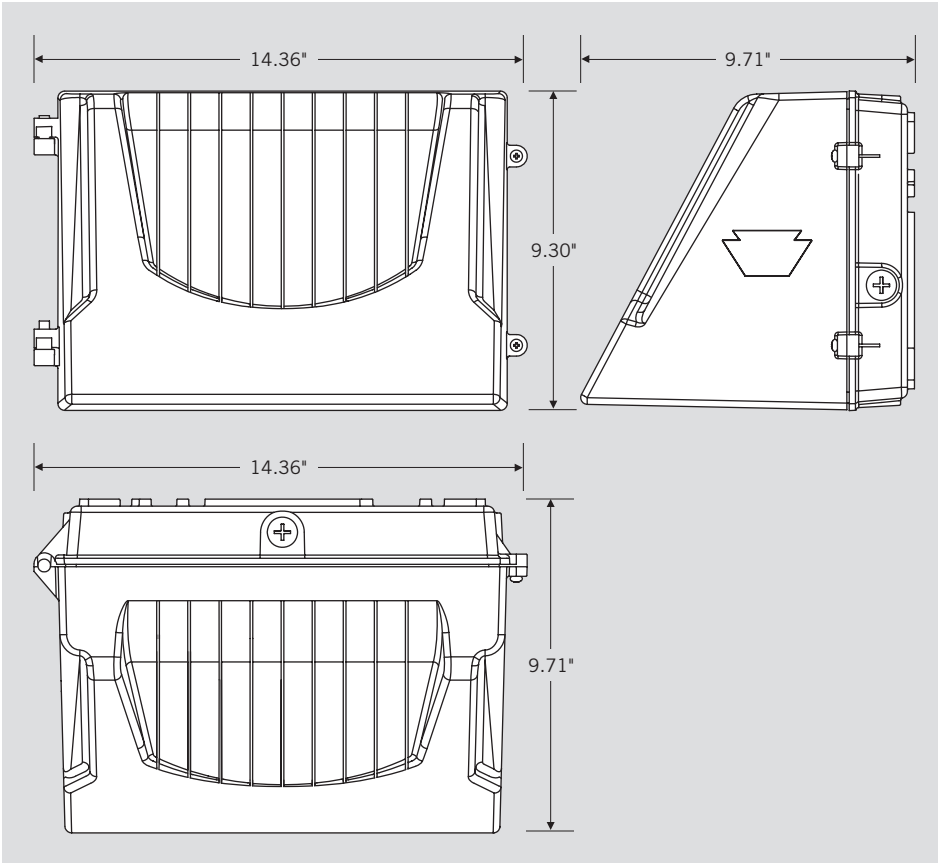
Isometric view from above; Luminaire mounted at 20'



WPLED100-M2-8XX

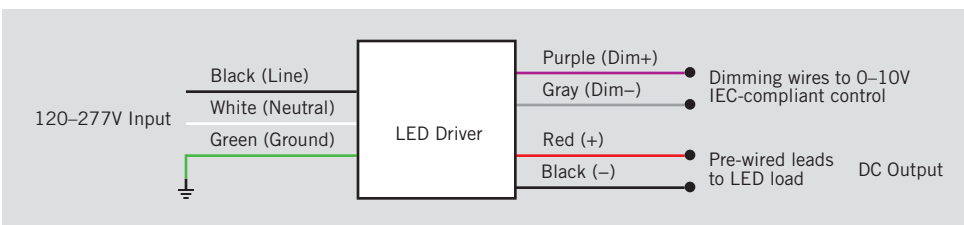
ARCHITECTURAL 100W FULL-CUTOFF LED WALL PACK

PHYSICAL SPECIFICATIONS



GENERAL SETUP INSTRUCTIONS

GENERAL WIRING DIAGRAM



Caution: Before installing, make certain that AC power to the fixture is off.

Caution: The electrical rating of this product is 120-277V. Installer must confirm that there is 120-277V at the fixture before installation.