

# WPLED40-M2-8XX

## ARCHITECTURAL 40W FULL-CUTOFF LED WALL PACK

### DESCRIPTION

Architectural 40W Full-Cutoff LED Wall Pack | 120–277V  
 Input | 4000–5000K | Medium-Size Bronze Housing | Wide  
 Optic Lens

### APPLICATION

Building Mount for exterior illumination (perimeters, pathways,  
 loading docks, and other general security lighting  
 requirements)



### PRODUCT FEATURES

- Architectural full-cutoff design improves the appearance of building exteriors and optimizes functional light distribution
- Heavy-duty, die-cast aluminum housing features modern aesthetics while retaining (5) available 1/2" threaded conduit hubs: (1) on back and (1) on all four sides
- Powered by 0–10V dimming LED drivers
- Dark Sky friendly performance, eliminates undesirable sky glow and glare
- Features one translucent 3/4" threaded plug with anti-yellowing agent for use with photocell accessory WPLED-PS-UV-KO
- Precision-crafted optical lens provides wide distribution pattern ideal for increased fixture spacing and uniformity
- Covers footprint of mid-size HID wallpacks
- Ambient operating temperature: –40°C/–40°F to 50°C/122°F
- UL listed for wet locations, IP65
- 0–10V dimming, 10% min
- Power Factor: >0.95
- THD: <20%
- LED chip lifetime: L70 >100,000 hrs @ 25°C/77°F ambient fixture temp
- Meets FCC Part 15, Part B, Class A standards for conducted and radiated emissions
- Fixture impact rating IK08
- Compatible with Keystone LED Emergency Backups

### ELECTRICAL SPECIFICATIONS

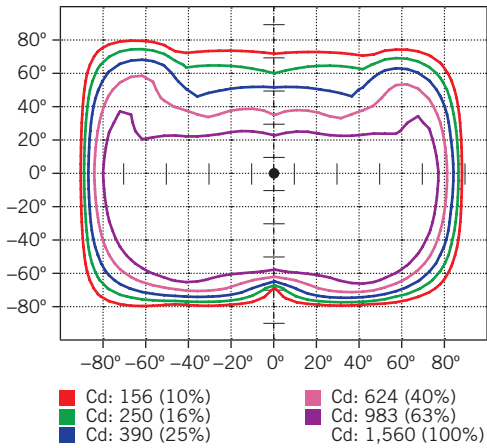
Catalog Number	Wattage	Lumens	Lumens Below 90°	Dimming	CCT	Efficacy	CRI	Housing Color	Input Voltage	Rated Life	Legacy Equivalent
WPLED40-M2-840	40W	5000 lm	4965 lm	0–10V	4000K	125 lm/W	>80	Bronze	120–277V	50,000 hrs	175W MH
WPLED40-M2-850		5200 lm	5160 lm		5000K	130 lm/W					

# WPLED40-M2-8XX

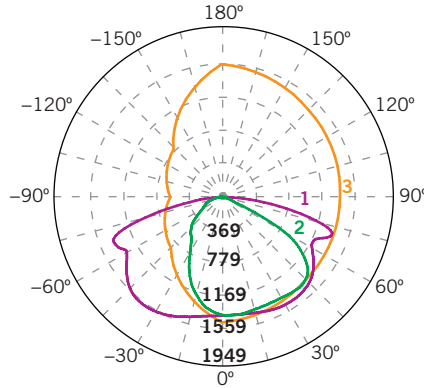
## ARCHITECTURAL 40W FULL-CUTOFF LED WALL PACK

### PHOTOMETRIC SPECIFICATIONS

#### ISOCANDELA PLOT



#### LUMINOUS INTENSITY DISTRIBUTION



Average diffuse angle (50%): **125.1°**

- 1 Violet C0-C180
- 2 Green C90-C270
- 3 Orange G36

#### FLUX DISTRIBUTION

Zone	Lumens	% Luminaire
<b>Forward Light</b>	3,171 lm	62.0%
0°-30°	596 lm	11.6%
30°-60°	1,594 lm	31.2%
60°-80°	912 lm	17.8%
80°-90°	70 lm	1.4%
<b>Back Light</b>	1,905 lm	37.2%
0°-30°	514 lm	10.1%
30°-60°	876 lm	17.1%
60°-80°	460 lm	9.0%
80°-90°	54 lm	1.1%
<b>Up Light</b>	39 lm	0.8%
90°-100°	3 lm	0.1%
100°-180°	36 lm	0.7%

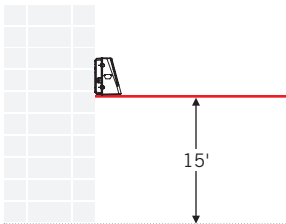
#### BUG\* Rating

Asymmetrical Luminaire Types	
Type I, II, III, IV	B2 U2 G1
Quadrilateral Symmetrical Luminaire Types	
Type V, Area Light	B2 U2 G1

\* Backlight, Uplight, Glare

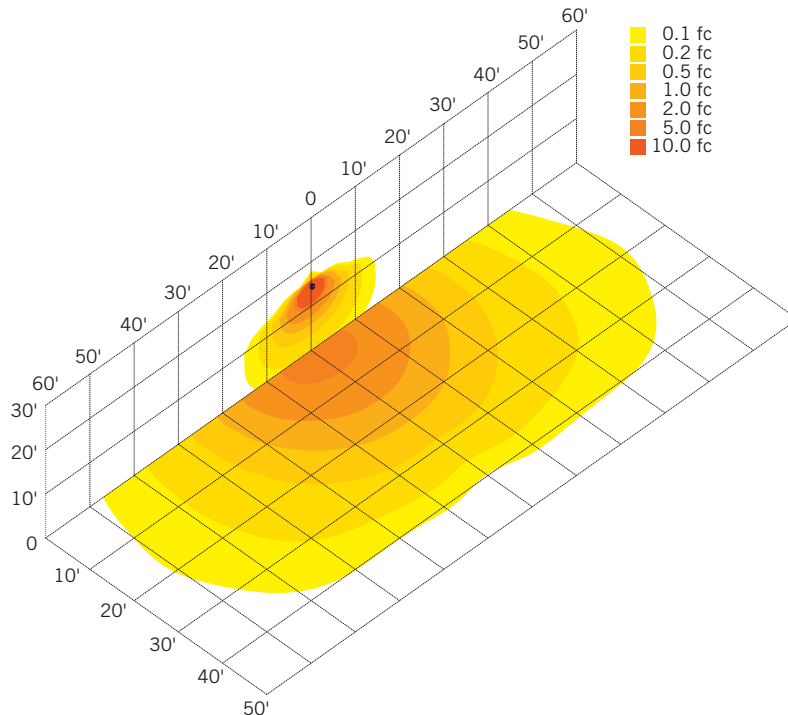
#### MOUNTING

Side view



#### LIGHT DISTRIBUTION PATTERN

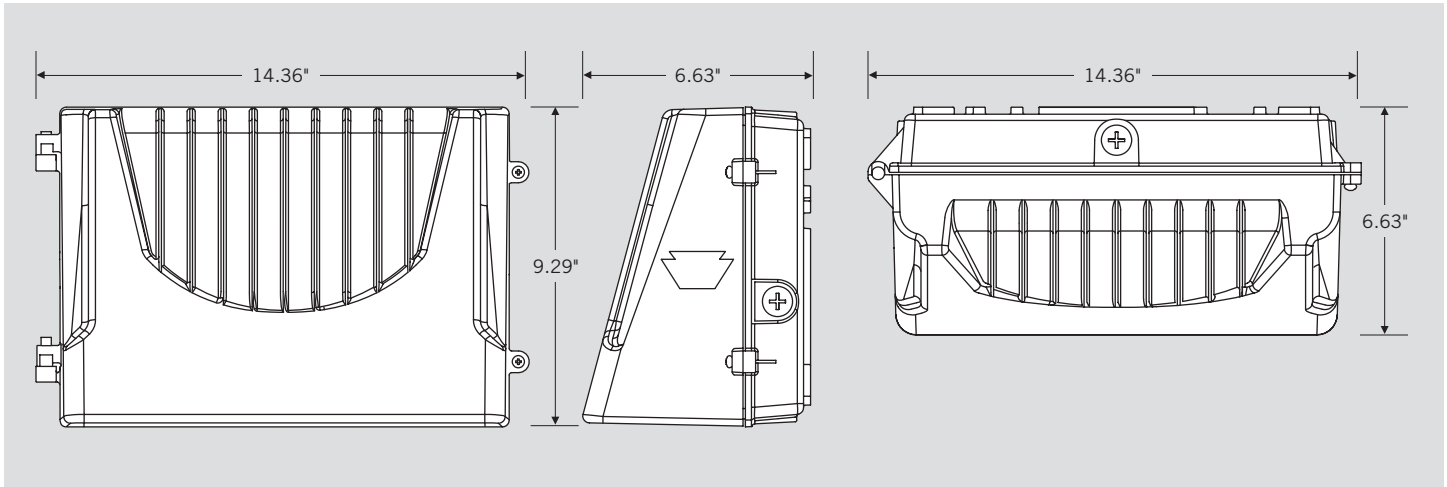
Isometric view from above; Luminaire mounted at 15'



# WPLED40-M2-8XX

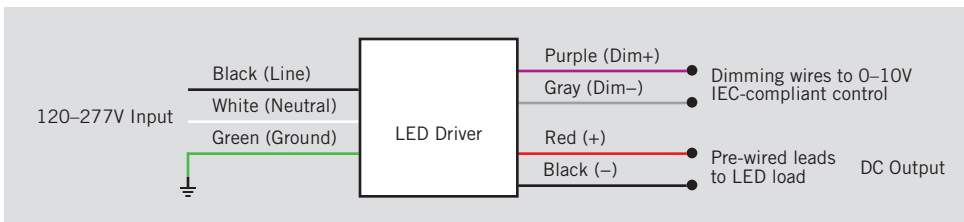
## ARCHITECTURAL 40W FULL-CUTOFF LED WALL PACK

### PHYSICAL SPECIFICATIONS



### GENERAL SETUP INSTRUCTIONS

#### GENERAL WIRING DIAGRAM



**Caution:** Before installing, make certain that AC power to the fixture is off.

**Caution:** The electrical rating of this product is 120-277V. Installer must confirm that there is 120-277V at the fixture before installation.

### ACCESSORIES (SOLD SEPARATELY)

Catalog Number	Description
SP-10KV-C	Wallpack 10kV Surge Protector, Compact Design
WPLED-PS-UV-KO	Wall Pack Button Photocell

# WPLED40-M2-8XX

## ARCHITECTURAL 40W FULL-CUTOFF LED WALL PACK

### ORDERING INFORMATION

CATALOG NUMBER	PACK QTY.	EASY CODE	
WPLED40-M2-840	1	EXI-18	
WPLED40-M2-850	1	GEK-93	

### CATALOG NUMBER BREAKDOWN

# WPLED40-M2-8XX-VDIM

2	3	4	5	6	7	8	9
---	---	---	---	---	---	---	---

#### 2 Fixture Type

#### 3 LED Lamp

#### 4 Max Wattage

#### 5 Size

#### 6 Style

#### 7 CRI

#### 8 Color

#### 9 Dimming

#### 10 Additional Options

#### 2 Fixture Type

F	Flood
WP	Wallpack

#### 5 Size

S	Small
M	Medium
L	Large

#### 6 Style

1	Non-Cutoff
2	Full-Cutoff

#### 7 CRI

8	>80
9	>90

#### 8 Color

40	4000K
50	5000K

#### 9 Dimming

VDIM	0-10V
------	-------

#### 10 Additional Options

	No option
/MW	Microwave occupancy Sensor Installed
/EMRG-12	12W Emergency Battery Backup Installed