

PROJECT	
TYPE	
CATALOG #	



2'x 2' LED panel light,  
20, 30, and 40W, 120-277V input

### PRODUCT FEATURES

- Wattage Selectable (40/30/20W)
- CCT Selectable (3500/4000/5000K)
- Features integrated SmartLoop Bluetooth™ mesh wireless sensor controller. The sensor controller may be used “out of the box” as a stand alone sensor (pre-commissioned, see page 2 for details); or may be commissioned using the SmartLoop app to add advanced functions such as zoning, high-end trim, configure occupancy/ vacancy behavior, create scenes, and set schedules.
- New backlit style design; fits standard T-grid ceilings
- Construction features precise optical lenses over each individual LED offering optimal light diffusion and consistent surface illumination
- Suitable for damp locations
- Powered by 0-10V dimmable LED driver with built in junction box
- Compatible with LED emergency backup
- Over 70% energy savings compared to traditional fluorescent troffers
- Operating temp range -20°C/-4°F to 40°C/104°F



\* For use in non-fire rated installations only

### PERFORMANCE SPECIFICATIONS

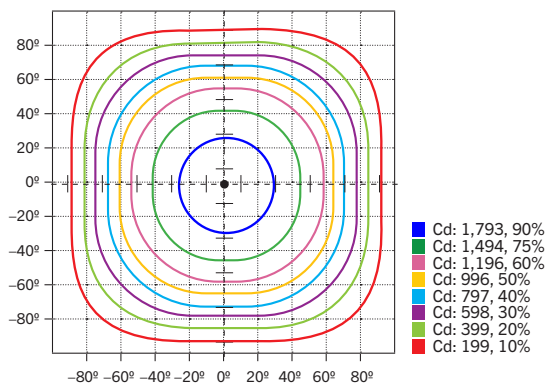
Catalog Number	Wattage	CCT	Lumen Output	Efficacy	Input Voltage	CRI	Power Factor	Lifetime
BPL-LED-22B-40PS-8CSA /FC2*	40W	3500K	4,400	110 lm/W	120-277V	>80	>0.9	50,000 Hours
		4000K	4,500	113 lm/W				
		5000K	4,450	111 lm/W				
	30W	3500K	3,400	111 lm/W				
		4000K	3,500	117 lm/W				
		5000K	3,450	115 lm/W				
	20W	3500K	2,400	111 lm/W				
		4000K	2,500	125 lm/W				
		5000K	2,450	123 lm/W				

### ONE CATALOG NUMBER WITH 9 DIFFERENT OPTIONS

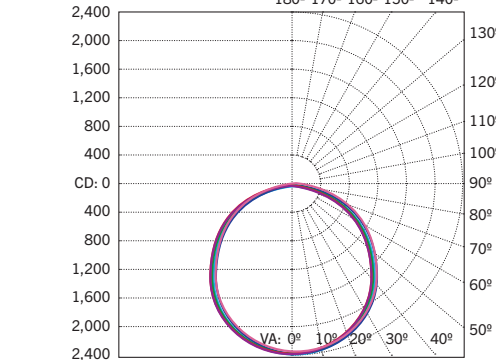
\* Preset to highest lumen output (40W / 5000K)  
\* Color Uniformity: CCT (Correlated Color Temperature) range as per guidelines outlined in ANSI C78.377-2017.

### PHOTOMETRIC SPECIFICATIONS

#### ISOCANDELA PLOT



#### POLAR CANDELA DISTRIBUTION



#### ZONAL LUMEN SUMMARY

Zone	Lumens	% Luminaire
0-60	3,252.2	78.4%
60-90	891.5	21.5%
0-90	4,147.6	100%

Max Cd: 292.5° H  
0° H  
90° H  
22.5° H  
45° H  
67.5° H

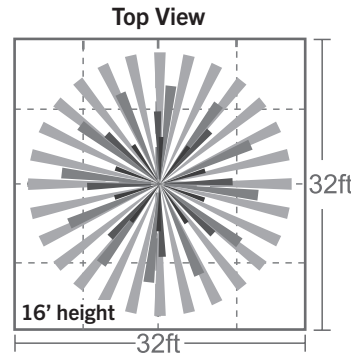
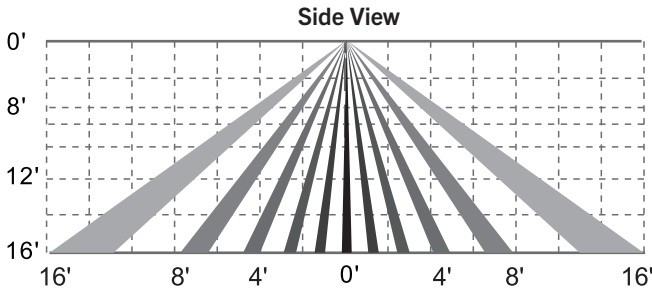
PROJECT	
TYPE	
CATALOG #	

### SENSOR PERFORMANCE

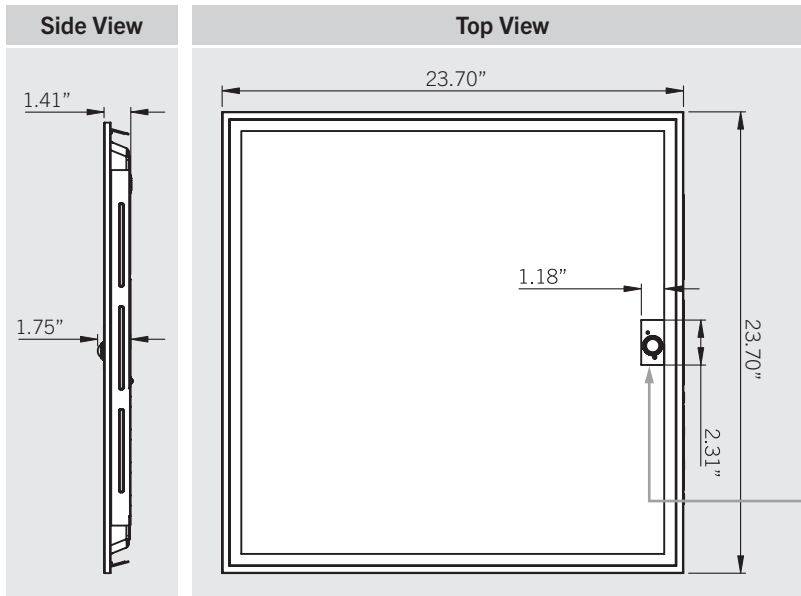
ELECTRICAL SPECIFICATIONS	
RF Transmit Power	8dBm
Wireless Frequency	2.4GHz
Wireless Range (Open Air)	100ft
Wireless Protocol	Bluetooth 4.2
Sensor Detection Height	16' max
Daylight Harvesting Range	100-1000 lux

PRECONFIGURED SETTINGS	
Photo Sensor	Enabled
Motion Sensitivity	100%
Motion Sensor	Enabled
Motion Mode	Occupancy
Hold Time	20m
Standby Time	1m
Standby Percentage	50%

### SENSOR COVERAGE



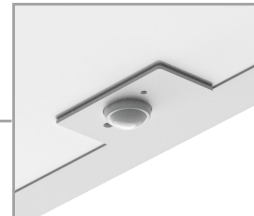
### PHYSICAL SPECIFICATIONS



### WEIGHT INFORMATION

1 Piece	1 Carton
6.2 lbs	12.4 lbs

SMART **LOOP**  
POWERED BY KEYSTONE



### ORDERING INFORMATION

CATALOG NUMBER	CARTON QTY.	UPC	EASY CODE
BPL-LED-22B-40PS-8CSA /FC2	2	843654151618	IWM-73