

### LED SLIM LED TROFFER Wattage & CCT Tunable



**Application:** offices, schools, showrooms, airports, retail locations, and healthcare facilities

#### Specifications

Specifications		
Model No.	CBT-(XX)W2x2P-(XX)K	CBT-(XX)W2x4P-(XX)K
Power:	25W/35W	33W/40W/50W
Size:	2'x2'	2'x4'
Input Voltage:	110-277 VAC	
Lumen	3250 LM/4550 LM	4290LM/5200LM/6500 LM
Protection Rating	IP20 (For Indoor Use Only)	
Power Factor:	0.95	
Beam Angle	110°	
CCT:	CCT Tunable (3000K/4000K/5000K)	
CRI:	>80 Ra	
Working Life:	Lumen Maintenance over 70% @ 50,000+ Hours	
Oper. Temperature	-4°F ~+105°F / -15°C ~+40°C	
Product Size:	23.74"x23.74"x1.8"	23.74"x47.76"x1.8"
Qty/Master Pack	2	2
Master Pack Size:	25.78"x25.78"x4.15"	25.8"x49.6"x4.15"
Master Pack Weight	15.6LB	31.9LB

#### DESCRIPTION

The slim LED troffers features a popular center basket design offers a clean, versatile style and volumetric distribution. It is typically used to replace 2x2 and 2x4 fluorescent light fixtures.

#### FEATURES

- Featuring tunable White Color Temperature: 3000K, 4000K and 5000K
- Adjustable Wattage to meet different customer demand
- 0-10V Dimmable
- Body: Aluminum Heatsink for Efficient Heat Dissipation
- Diffusers are extruded from impact modified acrylic for increased durability
- High efficiency: 130lm/w, DLC premium listed
- WARRANTY — 5-year limited warranty

#### AVAILABLE OPTIONS

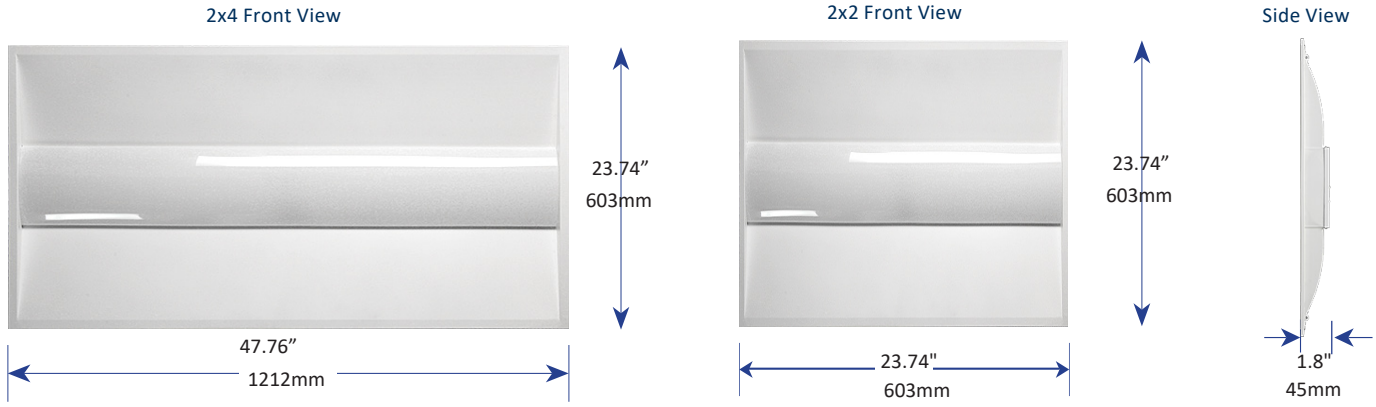
- 90-Minute Emergency Power Pack

#### ORDERING GUIDE

Model No: CBT-(xx)W2x(x)P-(xx)K

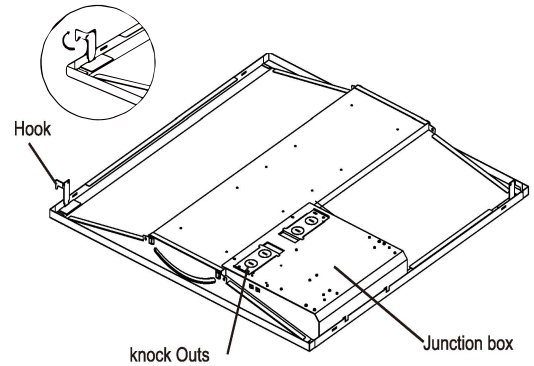
Product	Size	Wattage	P	C.C.T.
CBT Centre Basket Troffer	2x2	25W/35W	DLC Premium	CCT Tunable : (3000K/4000K/5000K)
	2x4	33W/40W/50W		

# DIMENSION



# INSTALLATION

1. Turn OFF power to the fixture at the breaker panel before installation.
2. Remove existing lamps, door frame (if applicable), rector and ballast cover. Depending on clearance space, ballast may need to be removed.
3. Connect the BLACK/BROWN lead to LINE(+) supply lead. Connect the WHITE/BLUE lead to NEUTRAUCOMMON(-) supply lead.
4. Connect the GREEN lead to GROUND supply lead.
5. If any, connect PURPLE/BLUE to 0-10V SIGNAL supply lead and GREY/WHITE to 0-10V NEUTRAREFERENCE supply lead.
6. For seruity, bend the end of the hook to the right with 90 degree and attach the hook on the housing onto the T-Bar



# LIGHT DISTRIBUTION

