

# CBT-LED-24B-30PS-8CSA

## LED CENTER BASKET FIXTURE

PROJECT	
TYPE	
CATALOG #	



2' x 4' LED Center Basket Fixture, 120 – 277V Input,  
Frosted Lens, 0 –10V Dimming

### PRODUCT FEATURES

- CCT Selection: Adjust CCT between 3500K, 4000K, or 5000K
- Wattage Selection: Adjust Wattage between 30W, 25W, and 20W
- Powered by 0 –10V dimming LED drivers with 12V Aux
- Architectural grade center basket volumetric design
- Ambient operating temperature: -20°C/-4°F to 50°C/122°F
- Available with optional integral occupancy sensor accessory
- Low optical flicker
- THD: < 20%
- Power factor > 0.95
- IC Rated



### POWER AND COLOR TEMPERATURE SELECTABILITY

- CCT Selection: Adjustable CCT (3500K/4000K/5000K)
- Wattage Selection: Adjustable Wattage (30W/25W/20W)

### PRODUCT SPECIFICATIONS

Catalog Number	Input Voltage	Wattage	CCT	Lumen Output	Efficacy	CRI	Power Factor	Lifetime
CBT-LED-24B-30PS-8CSA	120–277V	30W	3500K	3,840	128 lm/W	> 80	> 0.90	50,000 hrs
			4000K	3,870	129 lm/W			
			5000K	3,900	130 lm/W			
		25W	3500K	3,350	134 lm/W			
			4000K	3,375	135 lm/W			
			5000K	3,400	136 lm/W			
		20W	3500K	2,740	137 lm/W			
			4000K	2,760	138 lm/W			
			5000K	2,780	139 lm/W			

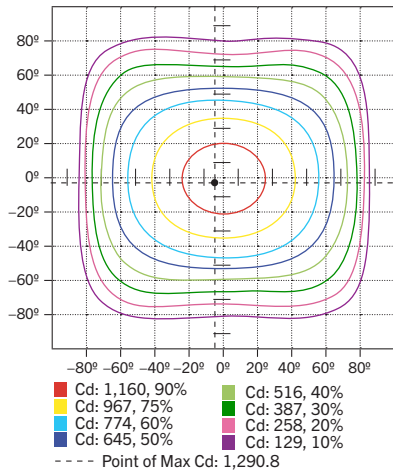
ONE CATALOG NUMBER WITH 9 DIFFERENT OPTIONS

\* Preset to highest lumen output (30W / 5000K)

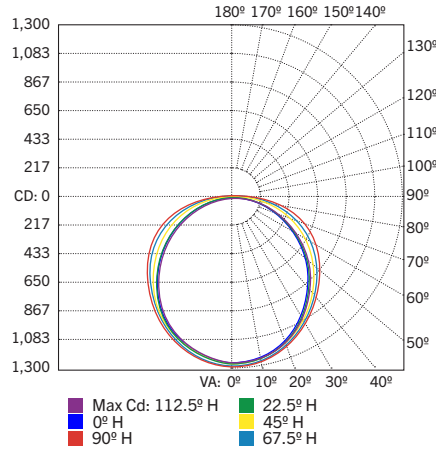
\* Color Uniformity: CCT (Correlated Color Temperature) range as per guidelines outlined in ANSI C78.377-2017.

PROJECT	
TYPE	
CATALOG #	

### PHOTOMETRIC SPECIFICATIONS



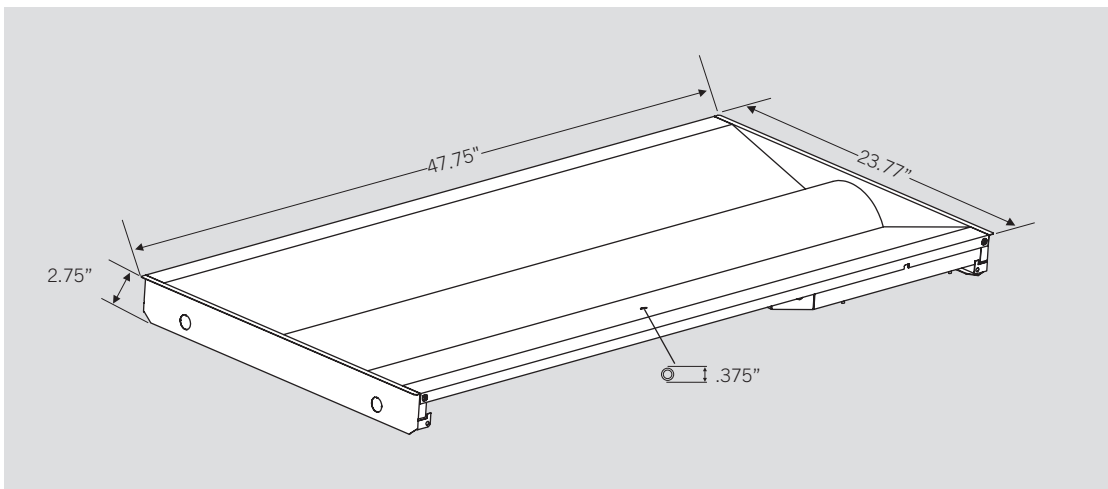
### POLAR CANDELA



### ZONAL LUMEN SUMMARY

Zone	Lumens	% Luminaire
0-60	2,906.8	74.30%
60-90	993.3	25.40%
0-90	3,900.1	99.70%
90-180	10.9	0.30%
0-180	3,911.0	100%

### PHYSICAL SPECIFICATIONS



### ORDERING INFORMATION

Catalog Number	Pack Quantity	Easy Code	UPC
CBT-LED-24B-30PS-8CSA	1	YQL-17	843654135298