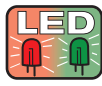


<b>Project:</b>	
<b>Type:</b>	
<b>Catalog #:</b>	



### STANDARD



### OPTIONAL

## ILLUMINATION

- Two fully-adjustable 5.4 watt, glare-free lamp heads.
- High-performance reflector and tempered glass lens for optimal light distribution.
- Ultra-bright, energy efficient, long-life Red or Green LED exit sign illumination.

## ELECTRICAL

- Dual 120/277 voltage.
- Charge rate/power "ON" LED indicator light and push-to-test switch for mandated code compliance testing.
- 6V long-life, maintenance-free, rechargeable NiCd battery.
- Internal solid-state transfer switch automatically connects the internal battery to LED board/lamp heads for minimum 90-minute emergency illumination.
- Fully automatic solid-state, two-rate charger initiates battery charging to recharge a discharged battery in 24 hours.

## MOUNTING

- Mounting hardware provided for back surface wall mount.

## HOUSING

- 5VA flame retardant, UV-stabilized polycarbonate gray finish.
- High-impact resistant, UV-stabilized polycarbonate clear lens.
- Corrosion-resistant enclosure engineering grade silicone gasket.
- Top and side K/O's provided for conduit feed applications.
- EZ snap-out Chevron directional indicators.

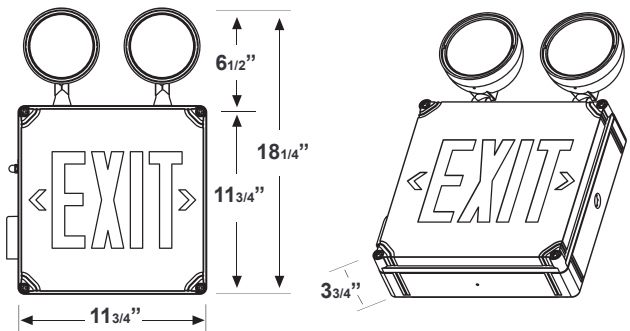
## OPTIONS

- HTR: Optional internal heater for cold temperature applications.

## WARRANTY/LISTING

- Five year warranty on all electronics and housing. Battery pro-rated for five years.
- Meets UL924, NFPA 101 Life Safety Code, NEC, OSHA, Local and State Codes.

## DIMENSIONS



## ORDERING INFORMATION

Sample Part Number: **CWLXTE-1-R-EM**

Special voltage options available. Check with your Best Lighting Representative.

Model	No. of faces	Letter Color	Battery	Options
CWLXTE	1 Single Face	R Red G Green	EM Battery Backup	HTR Internal Heater

<b>Project:</b>	
<b>Type:</b>	
<b>Catalog #:</b>	

## ELECTRICAL INFORMATION

Catalog Number	Input Watts (W)		Input Amps (A)	
	120V	277V	120V	277V
CWLXTE	7.2	7.7	0.063	0.030

## CENTER-TO-CENTER SPACING GUIDELINES

Consult factory for details.