

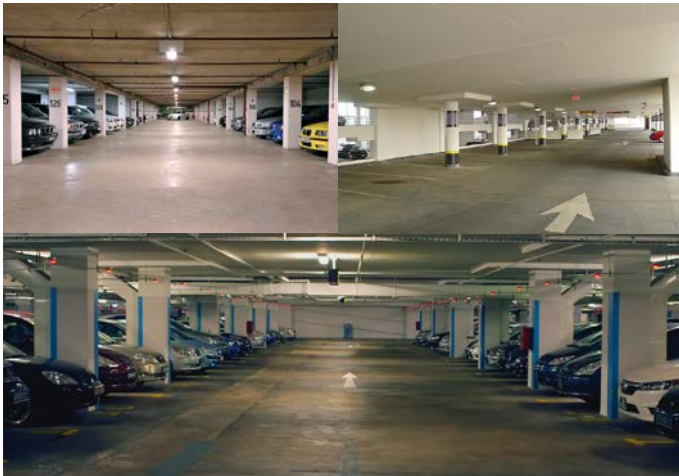
Project:	
Type:	
Catalog #:	



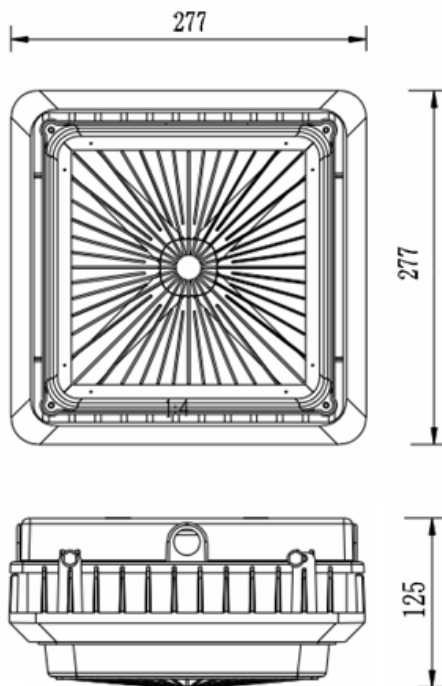
P/N: PG02-100WAANA1-aaK

Note:

PG02 = Product series, LED Parking Garage Light  
 100W = Rating Power, 100W  
 The first A = Hongli 2835  
 The second A = Diffuser cover type, A represent Stripe PC cover  
 N = The lens have no reflector  
 A1 = Version number  
 aaK = CCT, 40K=4000K, 45K=4500K, 50K=5000K, 57K=5700K



## DIMENSIONS



## ADVANTAGE

- UL cUL DLC certificate.
- IP65 Internal driver, Input voltage 100-277Vac.
- Output constant current lever can be adjusted through output cable with 0-10V.
- No UV or IR in the beam.
- Easy to install and operate.
- Energy saving, Long lifespan.
- Light is soft and uniform, Safe to eyes.
- Instant start, NO flickering, NO humming.
- Green and eco-friendly without mercury.

## APPLICATION

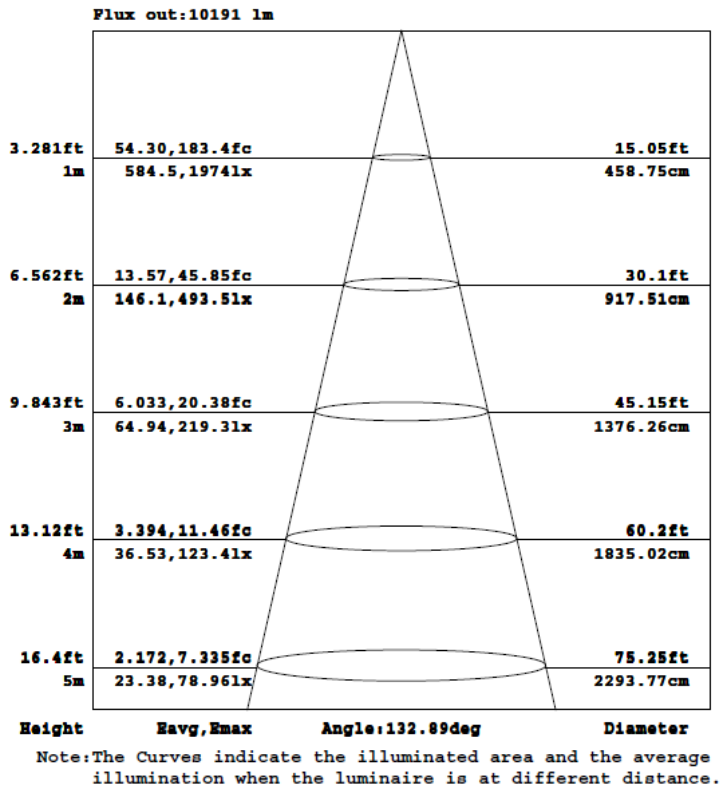
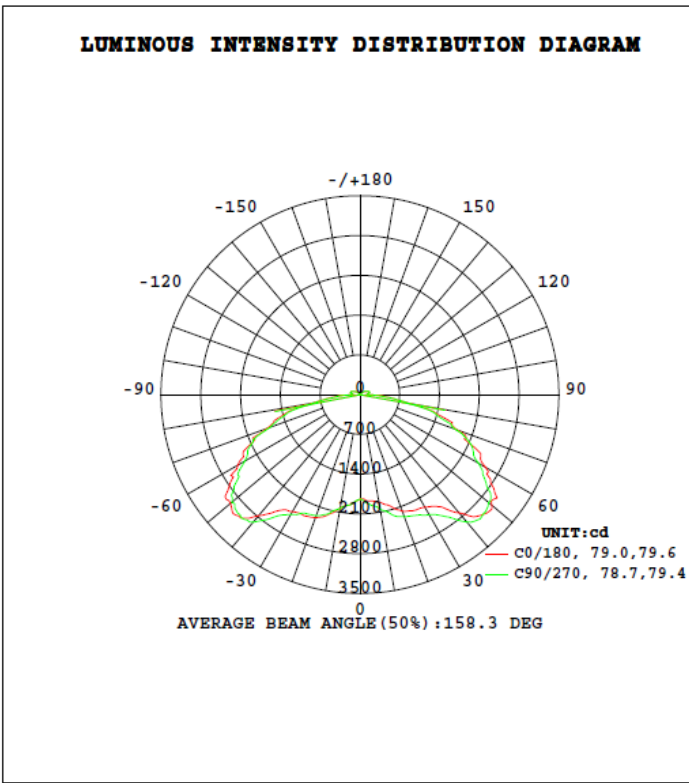
- Widely used in underground parking lot, garage and so on..

## SPECIFICATIONS

<b>OPTICAL</b>	Input Power	100W
	Lumen	12600-13300 LM
	Lumen Efficacy	126-132 LM/W
	Color Temperature	4000K, 4500K, 5000K, 5700K
	CRI	>80
	Viewing Angle	160°
<b>ELECTRICAL</b>	Input Voltage	100-277VAC 50/60Hz
	PF	≥0.9
	THD	≤20%
	Driver Brand	China Brand Driver
	Optional Accessory	Motion sensor, Surge Protective Device
<b>MATERIALS</b>	LED Type	SMD2835 (0.5W)
	LED QTY	300 PCS
	Housing	Aluminum + PC
	Housing Color	White
	Cover	Stripe PC Cover
	Waterproof Rating	WET (IP65)
<b>OTHERS</b>	Operating Temperature	-20°C TO 45°C
	Operating Humidity	20%-90% RH
	Storage Temperature	-30°C TO 80°C
	Storage Humidity	10%-95% RH
	Warranty Time	5 Years

## LIGHT DISTRIBUTION TESTING PARAMETERS

DATA OF LAMP		PHOTOMETRIC DATA <span style="float: right;">Eff: 130.52 lm/W</span>			
MODEL		I <sub>max</sub> (cd)	3483	S/MH (C0/180)	2.13
NOMINAL POWER (W)	100	LOR (%)	100.0	S/MH (C90/270)	2.08
RATED VOLTAGE (V)	120	TOTAL FLUX (lm)	13300	η UP, DN (C0-180)	2.3, 48.1
NOMINAL FLUX (lm)	13299.8	CIE CLASS	DIRECT	η UP, DN (C180-360)	2.3, 47.4
LAMPS INSIDE	1	η up (%)	4.6	CIBSE SHR NOM	2.00
TEST VOLTAGE (V)	120.0	η down (%)	95.4	CIBSE SHR MAX	0.00



## NOTICE FOR USER

- Please turn off power before install or change assembly parts.
- The input voltage and lamps should be matched, after connecting the power line, Please make sure the wiring section is insulated.
- No-professionals, must not install and disassemble the lamps.