

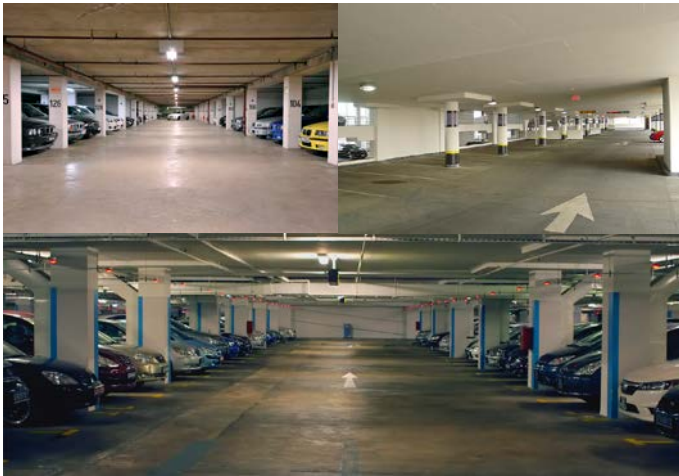
Project:	
Type:	
Catalog #:	



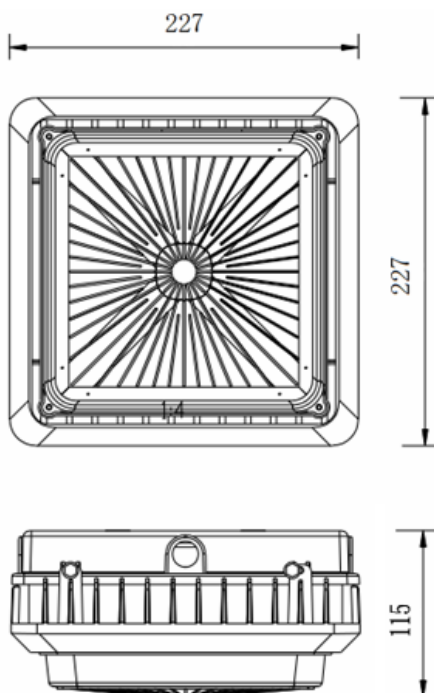
P/N:CPLED-55WAANA1-aaK

Note:

PG02 = Product series, LED Parking Garage Light  
 55W = Rating Power, 55W  
 The first A = Hongli 2835  
 The second A = Diffuser cover type, A represent Stripe PC cover  
 N = The lens have no reflector  
 A1 = Version number  
 aaK = CCT, 40K=4000K, 45K=4500K, 50K=5000K, 57K=5700K



**DIMENSIONS**



**ADVANTAGE**

- UL cUL DLC certificate.
- IP65 Internal driver, Input voltage 100-277Vac.
- Output constant current lever can be adjusted through output cable with 0-10V.
- No UV or IR in the beam.
- Easy to install and operate.
- Energy saving, Long lifespan.
- Light is soft and uniform, Safe to eyes.
- Instant start, NO flickering, NO humming.
- Green and eco-friendly without mercury.

**APPLICATION**

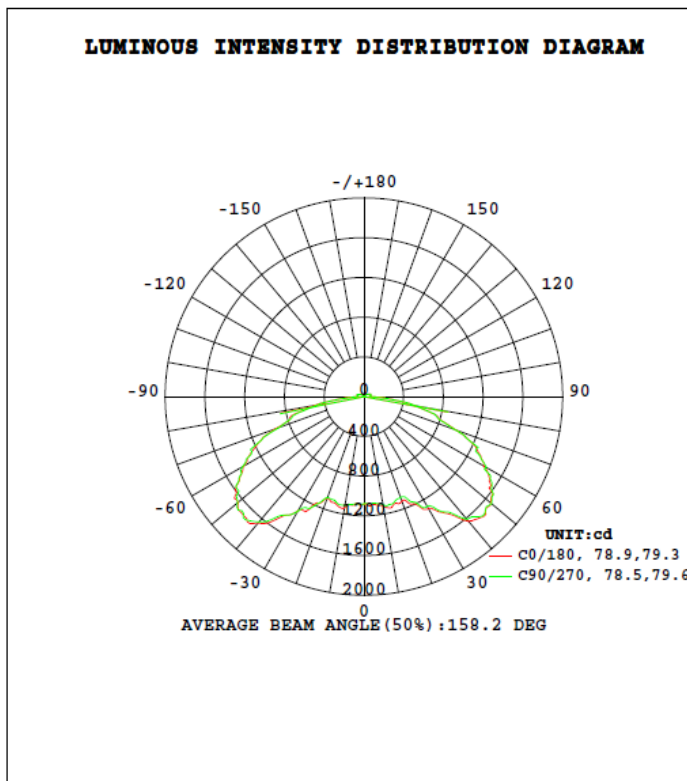
- Widely used in underground parking lot, garage and so on..

### SPECIFICATIONS

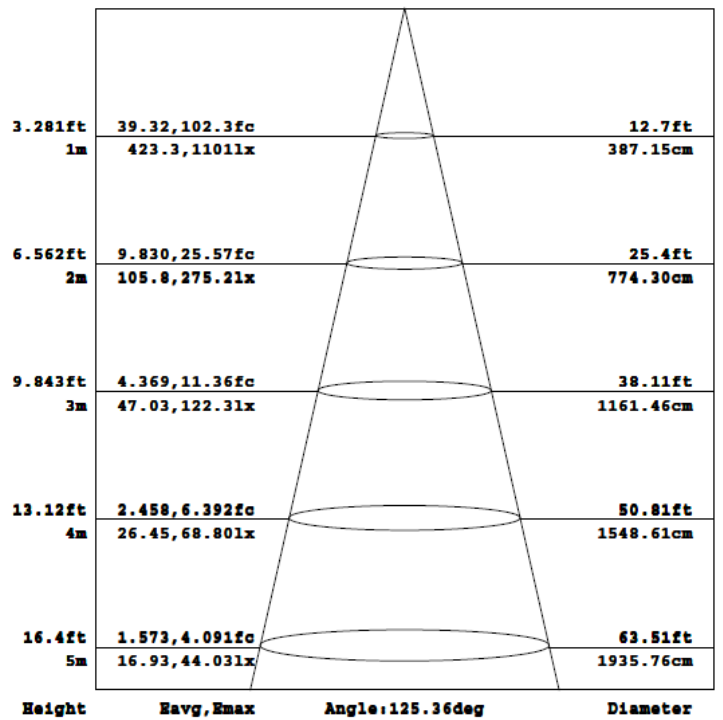
<b>OPTICAL</b>	Input Power	55W
	Lumen	6900-7450 LM
	Lumen Efficacy	127-133 LM/W
	Color Temperature	4000K, 4500K, 5000K, 5700K
	CRI	>80
	Viewing Angle	160°
<b>ELECTRICAL</b>	Input Voltage	100-277VAC 50/60Hz
	PF	≥0.9
	THD	≤20%
	Driver Brand	China Brand Driver
	Optional Accessory	Motion sensor, Surge Protective Device
<b>MATERIALS</b>	LED Type	SMD2835 (0.5W)
	LED QTY	165 PCS
	Housing	Aluminum + PC
	Housing Color	White
	Cover	Stripe PC Cover
	Waterproof Rating	WET (IP65)
<b>OTHERS</b>	Operating Temperature	-20°C TO 45°C
	Operating Humidity	20%-90% RH
	Storage Temperature	-30°C TO 80°C
	Storage Humidity	10%-95% RH
	Warranty Time	5 Years

### LIGHT DISTRIBUTION TESTING PARAMETERS

DATA OF LAMP		PHOTOMETRIC DATA			
		Eff: 131.15 lm/W			
MODEL		I <sub>max</sub> (cd)	1838	S/MH (C0/180)	2.09
NOMINAL POWER (W)	55	LOR (%)	100.0	S/MH (C90/270)	2.09
RATED VOLTAGE (V)	120	TOTAL FLUX (lm)	7305.2	η UP, DN (C0-180)	1.9, 48.4
NOMINAL FLUX (lm)	7305.18	CIE CLASS	DIRECT	η UP, DN (C180-360)	1.8, 47.9
LAMPS INSIDE	1	η up (%)	3.7	CIBSE SHR NOM	2.00
TEST VOLTAGE (V)	120.0	η down (%)	96.3	CIBSE SHR MAX	0.00



Flux out: 5122 lm



Note: The Curves indicate the illuminated area and the average illumination when the luminaire is at different distance.