

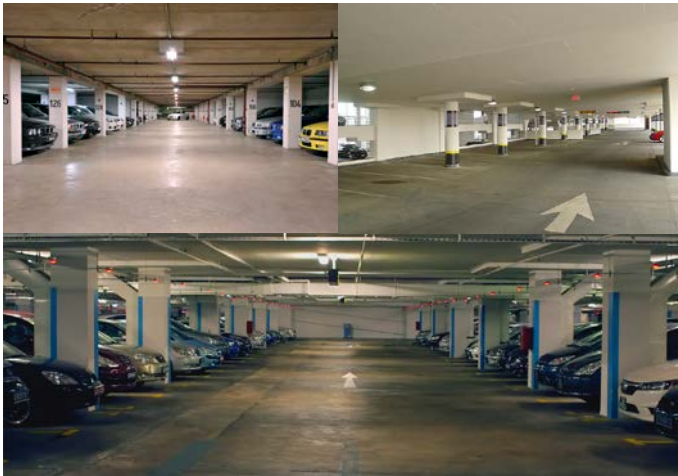
Project:	
Type:	
Catalog #:	



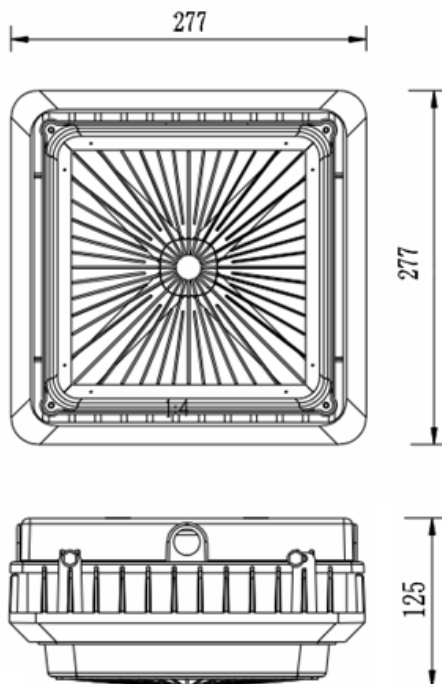
P/N: CPLED-75WAANA1-aaK

Note:

PG02 = Product series, LED Parking Garage Light
 75W = Rating Power, 75W
 The first A = Hongli 2835
 The second A = Diffuser cover type, A represent Stripe PC cover
 N = The lens have no reflector
 A1 = Version number
 aaK = CCT, 40K=4000K, 45K=4500K, 50K=5000K, 57K=5700K



DIMENSIONS



ADVANTAGE

- UL cUL DLC certificate.
- IP65 Internal driver, Input voltage 100-277Vac.
- Output constant current lever can be adjusted through output cable with 1-10V.
- No UV or IR in the beam.
- Easy to install and operate.
- Energy saving, Long lifespan.
- Light is soft and uniform, Safe to eyes.
- Instant start, NO flickering, NO humming.
- Green and eco-friendly without mercury.

APPLICATION

- Widely used in underground parking lot, garage and so on..

SPECIFICATIONS

OPTICAL	Input Power	75W
	Lumen	9400-10000 LM
	Lumen Efficacy	127-133 LM/W
	Color Temperature	4000K, 4500K, 5000K, 5700K
	CRI	>80
	Viewing Angle	160°
ELECTRICAL	Input Voltage	100-277VAC 50/60Hz
	PF	≥0.9
	THD	≤20%
	Driver Brand	China Brand Driver
	Optional Accessory	Motion sensor, Surge Protective Device
MATERIALS	LED Type	SMD2835 (0.5W)
	LED QTY	225 PCS
	Housing	Aluminum + PC
	Housing Color	White
	Cover	Stripe PC Cover
	Waterproof Rating	WET (IP65)
OTHERS	Operating Temperature	-20°C TO 45°C
	Operating Humidity	20%-90% RH
	Storage Temperature	-30°C TO 80°C
	Storage Humidity	10%-95% RH
	Warranty Time	5 Years

LIGHT DISTRIBUTION TESTING PARAMETERS

DATA OF LAMP		PHOTOMETRIC DATA			
MODEL		Imax (cd)	2566	S/MH(C0/180)	2.12
NOMINAL POWER (W)	75	LOR (%)	100.0	S/MH(C90/270)	2.06
RATED VOLTAGE (V)	120	TOTAL FLUX (lm)	9894.2	η UP, DN(C0-180)	2.3, 48.0
NOMINAL FLUX (lm)	9894.21	CIE CLASS	DIRECT	η UP, DN(C180-360)	2.3, 47.4
LAMPS INSIDE	1	η up (%)	4.6	CIBSE SHR NOM	2.00
TEST VOLTAGE (V)	120.0	η down (%)	95.4	CIBSE SHR MAX	0.00

