

PROJECT	
TYPE	
CATALOG #	



140W High-Power LED Rectangular Floodlight; 120–277V Input

PRODUCT FEATURES

- High-power LED rectangular floodlight with innovative design based on established floodlight principles
- Suitable for ground-, pole-, or building-mount applications
- Selectable wattage technology (140/100W)
- Selectable CCT technology (3000/4000/5000K)
- Die-cast aluminum housing with optional glare shield accessory (sold separately)
- Heavy-duty trunnion- and slipfitter-mount options included
- 3-pin twist lock photocell and shorting cap included with NEMA/ANSI C136.10 3-pin twist lock receptacle
- Precision-crafted NEMA 7H x 6V optics lens
- 0–10V dimming driver with 12V AUX power tap and 6kV surge protection
- Ambient operating temperature: –40°C/–40°F to 50°C/122°F
- UL and DLC 5.1 listed, IP65 rated
- Power factor: >0.95
- THD: <20%
- L70 @ 100,000 hours @ 25°C/77°F ambient fixture temperature
- Meets FCC Part 15, Part B, Class A standards for conducted and radiated emissions



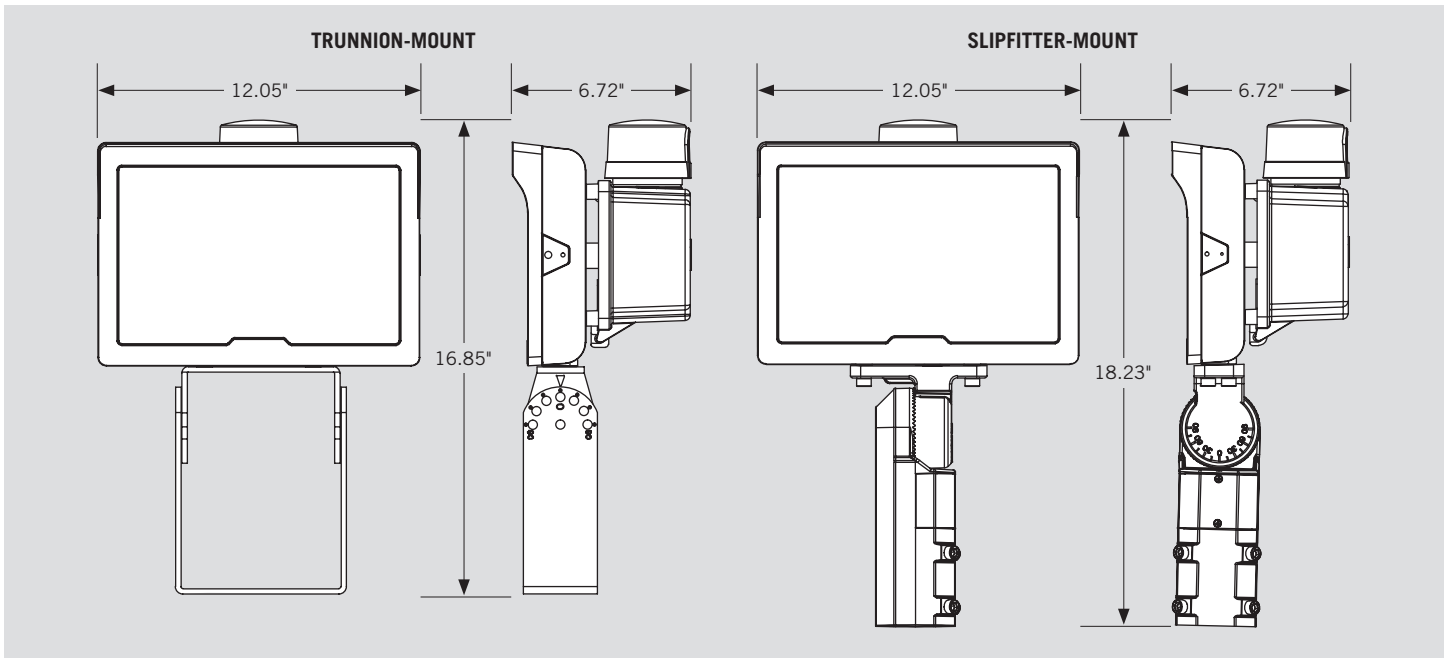
ELECTRICAL SPECIFICATIONS

Catalog Number	Wattage	CCT	Lumens	Efficacy	Input Voltage	Optics Type	Dimming	Housing Color	CRI	Rated Life	Legacy Equivalent
FL-LED-R2B-140PS-8CSB-ST	140W	3000K	17,500	125 lm/W	120–277V	7H x 6V	0–10V	Bronze	>80	50,000 hrs	400W MH
		4000K	20,300	145 lm/W							
		5000K	18,900	135 lm/W							
	100W	3000K	13,500	135 lm/W							
		4000K	15,500	155 lm/W							
		5000K	14,500	145 lm/W							

Note: Mounting options are universal: 2 3/8" Trunnion or Slipfitter. Photocell included.

PROJECT	
TYPE	
CATALOG #	

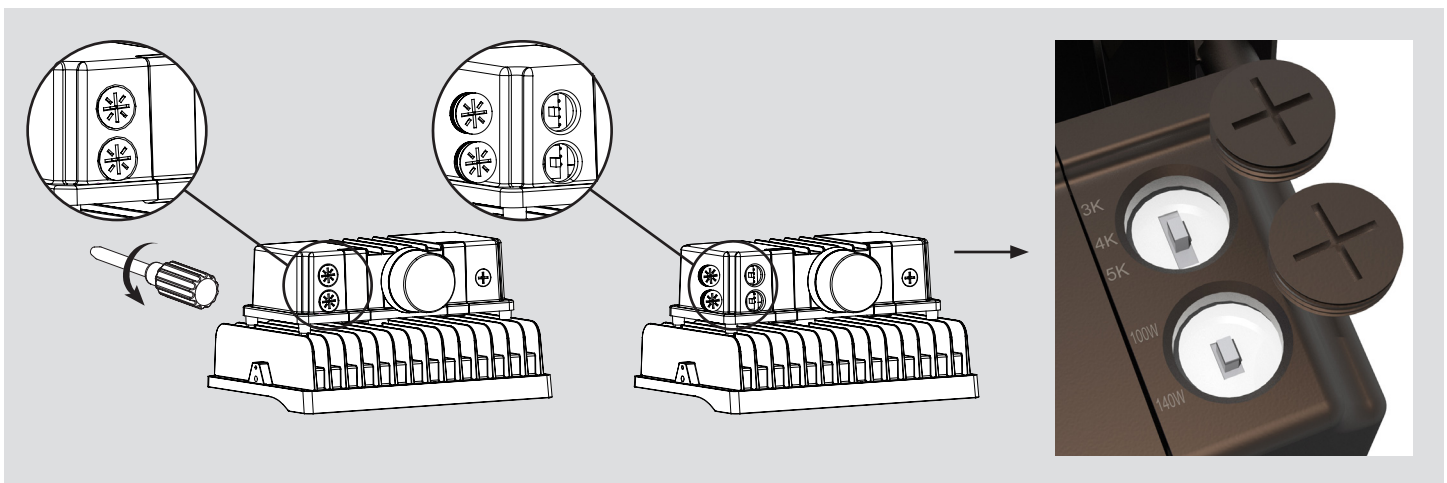
DIMENSIONS



SELECTABLE WATTAGE AND SELECTABLE CCT ADJUSTMENT INSTRUCTIONS

This fixture is equipped with field-adjustable selectable wattage and selectable CCT technology.

1. Ensure power is off to the fixture.
2. Unscrew the gasketed caps from the back of the fixture as shown in the images below.
3. Adjust dip switches to desired settings.
4. Screw on gasketed caps.
5. Restore power to fixture.



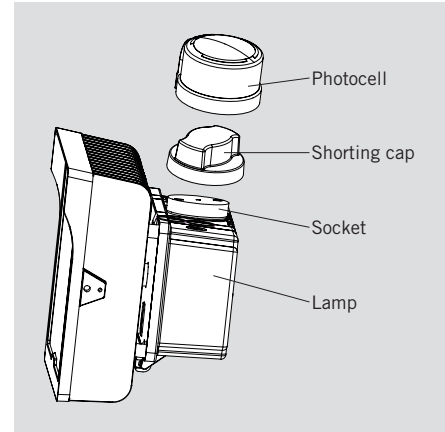
PROJECT	
TYPE	
CATALOG #	

PHOTOCELL INSTRUCTIONS

This fixture comes with a 3-pin twist-lock photocell accessory.

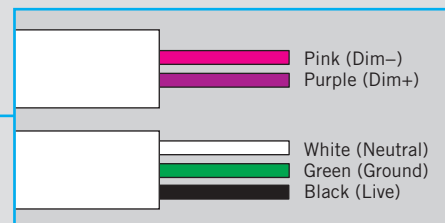
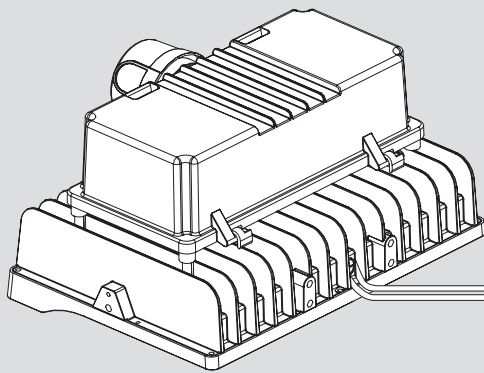
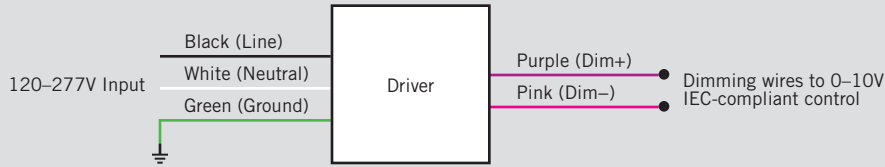
This fixture is compatible with NEMA/ANSI C136.10-2010 3-pin twist-lock photocells.

1. Ensure power is off to the fixture.
2. Remove existing twist lock shorting cap from receptacle.
3. Push the photocell onto the receptacle and twist clockwise to lock into place.
4. For optimal performance, install the photocell with sensor director facing north as indicated on the top of the accessory. Adjust if necessary, while ensuring proper water-tight install.
5. Restore power to fixture when ready.



WIRING DIAGRAMS

GENERAL WIRING DIAGRAM

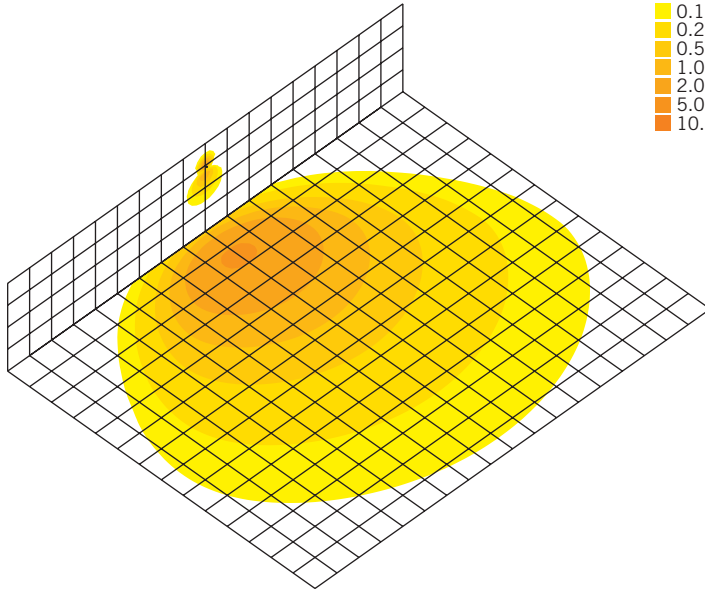


PROJECT	
TYPE	
CATALOG #	

LIGHT DISTRIBUTION PATTERN

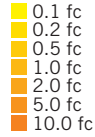
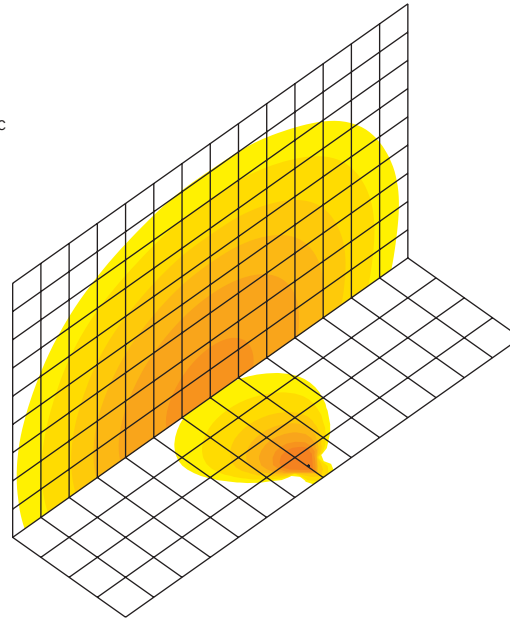
BUILDING-MOUNT VIEW FROM ABOVE

Floodlight mounted at 30' above ground; beam angled 30° below horizontal



GROUND-MOUNT VIEW FROM ABOVE

Floodlight mounted at 6" above ground; beam angled 10° above horizontal; shining toward building wall from 35' away



HIGH-POWER LED FLOODLIGHT ORDERING INFORMATION

Catalog Number	Pack Qty.	UPC
FL-LED-R2B-140PS-8CSB-ST	1	843654148700