

Application: Ideal for lighting a car port, gas station, gym, garage or any other high bay lighting locations.

FEATURE

- Uses professional optical technology to obtain 130 lumens per watt and project light down in a wide projection
- Fixture is designed for better cooling with Larger Size, aluminum Heat Sink to ensure long life performance.
- Integrated driver, easy to install and operate.
- UL-classified to avoid electrical shock and fire hazard.

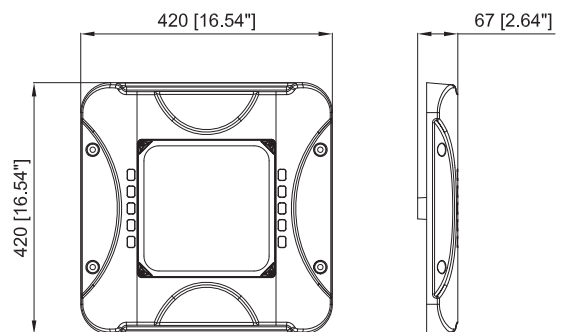
Certifications



SPECIFICATIONS:

SKU	GSC-150W-57K
Working Voltage	AC100-277V
Wattage	150W
CCT	5700K
Lumens	21105 lm
Lamp Bead Model	2835 Lumileds
Lamp shell	White
Beam Angle	110°
Lighting Efficiency	130 Lm/W
Color Rendering Index	Ra>80
Working Temperature	-40 °F ~+104 °F / -20 °C ~ +40 °C
Storage Temperature	-40 °F ~+158°F / -30 °C ~ +50 °C
Environment Location	IP 65 - Wet Location
Lifespean	> 50000H
Dimming	0-10V
DLC ID	PLCO4VJP1TAX
Package Info	18.5" X 18.5 " X 4.61"
P/C Master Pack	1
Weight	13.8 LB

PRODUCT DIMENSION



ORDERING CODE DEFINITION

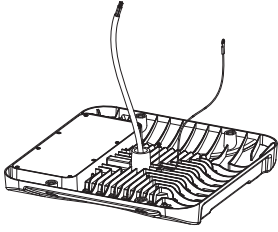
EXAMPLE: GSC-150W-57K

	Product	Power	CCT
	GS: Gas Station Canopy	150W	5700K

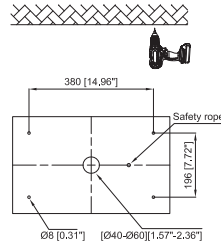
INSTALLATION INSTRUCTION

Surface Mount Installation

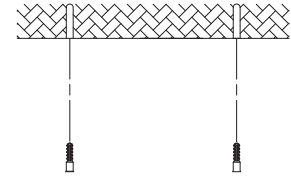
1. Fix the safety rope on the back of fixture by supplied screw PWM4*8.



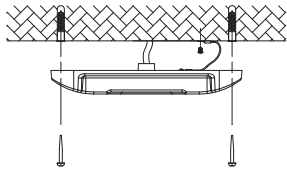
2. Drill 5 holes on the ceiling based on the diameter of supplied plastic anchor as picture, to make them match the holes on the fixture.



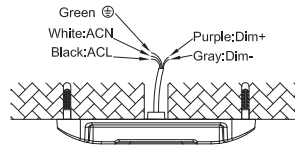
3. Screw the anchors to holes on ceiling respectively.



4. Screw the safety rope. And fix the fixture to the ceiling with tapping screws.

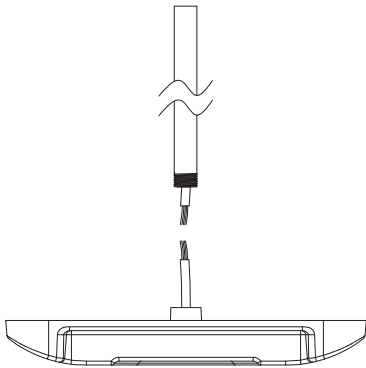


5. Connecting the wires respectively:
Black-L, White-N, Green-Earth, Purple-Dim+, Gray-Dim-.



Pole Pendant Installation

1. Connect the wiring to the local power supply in the 3/4" NPT Stem.



2. Screw the fixture to the 3/4" NPT Stem.

