

PROJECT	
TYPE	
CATALOG #	



Complete Compact 115W LED High Bay Fixture; 120–277V Input

PRODUCT FEATURES

- Architectural grade compact design
- Designed to accept easy screw-in installation of optional sensors via 1/2" threaded receptacle in driver cover
- Compatible with emergency LED drivers; mounting kit required (sold separately)
- Powered by 0–10V dimming LED drivers with 12V Aux
- Frosted lens eliminates glare
- V-hook and chain mounting accessories included
- UL Listed 1598: Suitable for dry and damp locations
- Ambient operating temperature: $-20^{\circ}\text{C}/-4^{\circ}\text{F}$ to $50^{\circ}\text{C}/122^{\circ}\text{F}$
- THD: $<20\%$
- PF: >0.90
- LED chip lifetime: L70 $>100,000$ hrs @ $25^{\circ}\text{C}/77^{\circ}\text{F}$ ambient fixture temp.

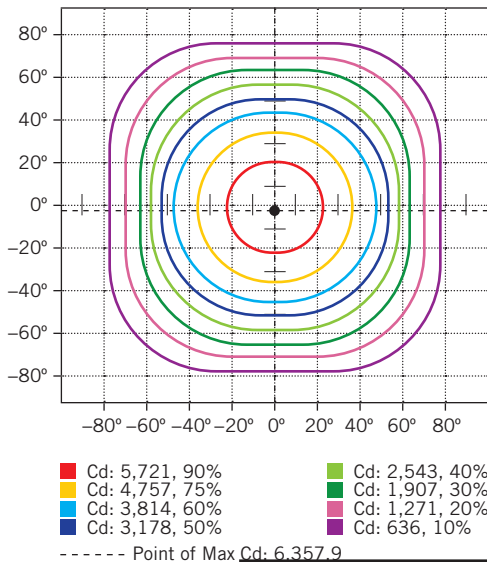


PERFORMANCE SPECIFICATIONS

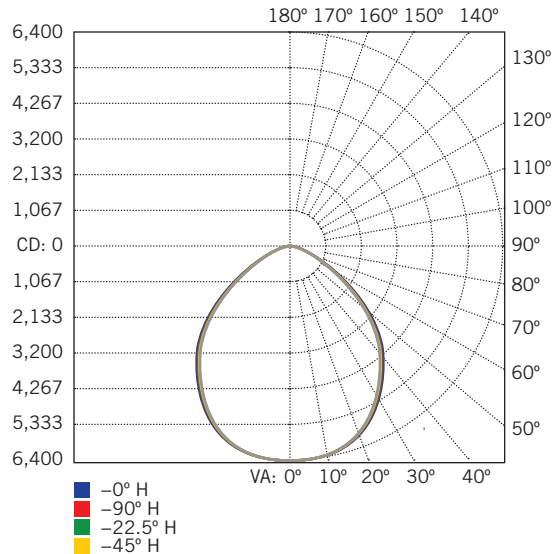
CATALOG NUMBER	NOMINAL LENGTH	INPUT VOLTAGE	CCT	WATTAGE	LUMEN OUTPUT	EFFICACY	CRI	POWER FACTOR	LIFETIME
HB-LED-1.5-115-840-P /G2	1.5 ft.	120–277V	4000K	115W	17,250	150 lm/W	>80.0	>0.90	50,000 hrs
HB-LED-1.5-115-850-P /G2	1.5 ft.	120–277V	5000K	115W	17,365	151 lm/W	>80.0	>0.90	50,000 hrs

PHOTOMETRIC SPECIFICATIONS

ISOCANDELA PLOT



POLAR CANDELA DISTRIBUTION

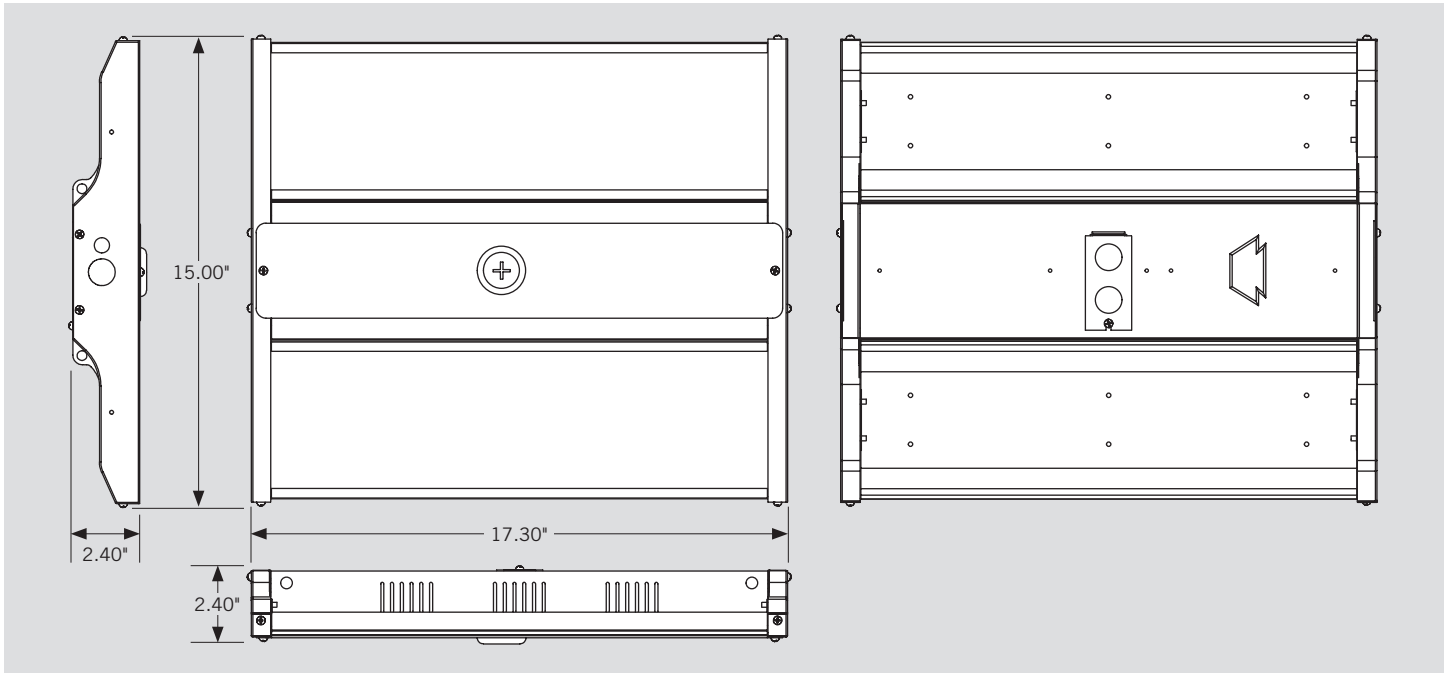


ZONAL LUMEN SUMMARY

Zone	Lumens	% Luminaire
0–30	4,881.0	30.20%
0–40	7,921.3	49.10%
0–60	13,403.7	83.00%
60–90	2,689.7	16.70%
70–100	1,025.2	6.40%
90–120	13.6	0.10%
0–90	16,093.4	99.70%
90–180	48.7	0.30%
0–180	16,142.1	100%

PROJECT	
TYPE	
CATALOG #	

PHYSICAL SPECIFICATIONS



ORDERING INFORMATION

ORDER CODE	PACK QTY.	UPC	EASY CODE
HB-LED-1.5-115-840-P /G2	1	843654136882	ZJK-41
HB-LED-1.5-115-850-P /G2	1	843654136899	SEE-99