

PROJECT	
TYPE	
CATALOG #	



### Complete Compact 60W LED High Bay Fixture; 120–277V Input

#### PRODUCT FEATURES

- Architectural grade compact design
- Designed to accept easy screw-in installation of optional sensors via 1/2" threaded receptacle in driver cover
- Compatible with emergency LED drivers; mounting kit required (sold separately)
- Powered by 0–10V dimming LED drivers with 12V Aux
- Frosted lens eliminates glare
- V-hook and chain mounting accessories included
- UL Listed 1598: Suitable for dry and damp locations
- Ambient operating temperature: -20°C/-4°F to 50°C/122°F
- THD: < 20%
- PF: > 0.90
- LED chip lifetime: L70 >100,000 hrs @ 25°C/77°F ambient fixture temp.

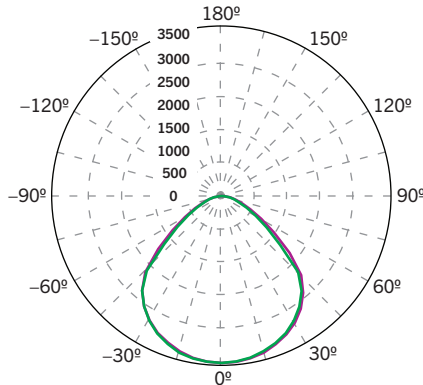


#### PERFORMANCE SPECIFICATIONS

CATALOG NUMBER	NOMINAL LENGTH	INPUT VOLTAGE	CCT	WATTAGE	LUMEN OUTPUT	EFFICACY	CRI	POWER FACTOR	LIFETIME
HB-LED-1.5-60-840-P /G2	1.5 ft.	120–277V	4000K	60W	9,000	150 lm/W	>80.0	>0.90	50,000 hrs
HB-LED-1.5-60-850-P /G2	1.5 ft.	120–277V	5000K	60W	9,060	151 lm/W	>80.0	>0.90	50,000 hrs

#### PHOTOMETRIC SPECIFICATIONS

##### LUMINOUS INTENSITY DISTRIBUTION\*



Average diffuse angle (50%): 100°

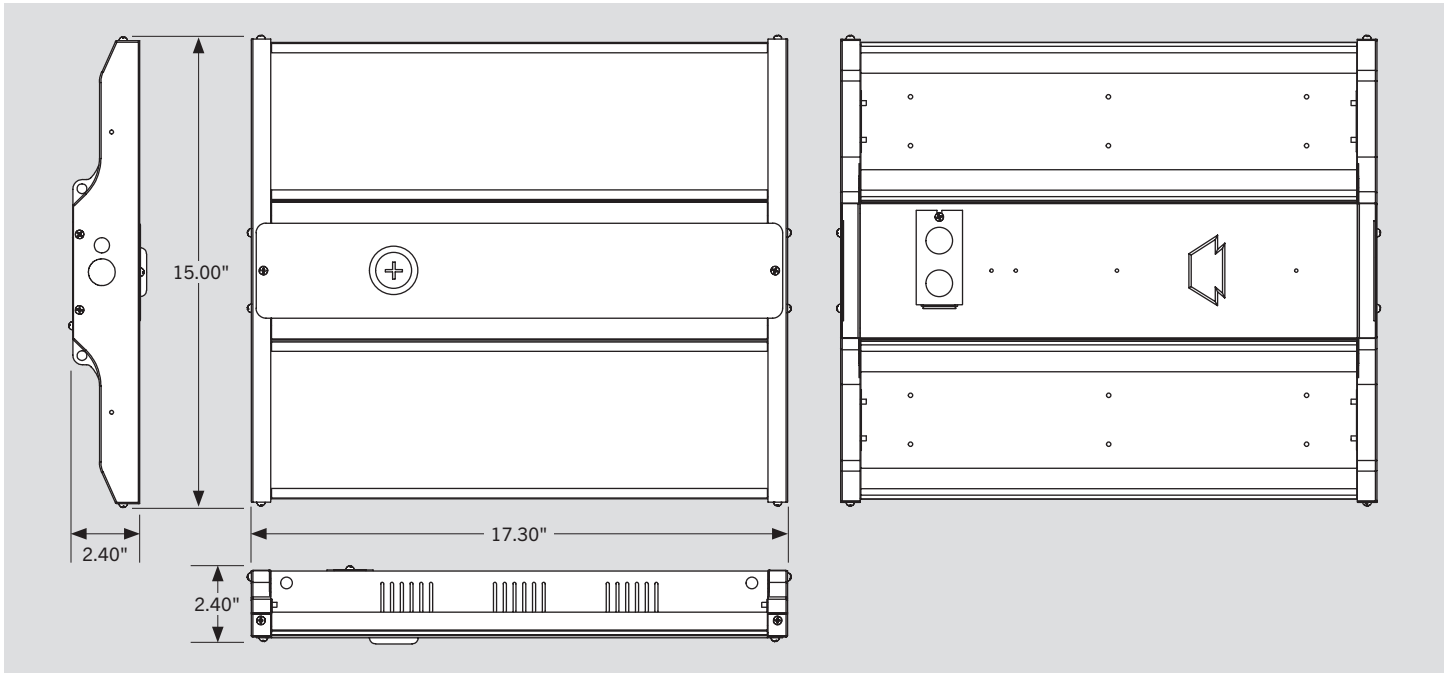
1 Violet C0 – C180

2 Green C90 – C270

Unit: cd

PROJECT	
TYPE	
CATALOG #	

### PHYSICAL SPECIFICATIONS



### ORDERING INFORMATION

ORDER CODE	PACK QTY.	UPC	EASY CODE
HB-LED-1.5-60-840-P /G2	1	843654137919	IZS-77
HB-LED-1.5-60-850-P /G2	1	843654137926	JBU-65