

PROJECT	
TYPE	
CATALOG #	



Complete Compact 80W LED High Bay Fixture; 120–277V Input

PRODUCT FEATURES

- Architectural grade compact design
- Designed to accept easy screw-in installation of optional sensors via 1/2" threaded receptacle in driver cover
- Compatible with emergency LED drivers; mounting kit required (sold separately)
- Powered by 0–10V dimming LED drivers with 12V Aux
- Frosted lens eliminates glare
- V-hook and chain mounting accessories included
- UL Listed 1598: Suitable for dry and damp locations
- Ambient operating temperature: -20°C/-4°F to 50°C/122°F
- THD: < 20%
- PF: > 0.90
- LED chip lifetime: L70 >100,000 hrs @ 25°C/77°F ambient fixture temp.

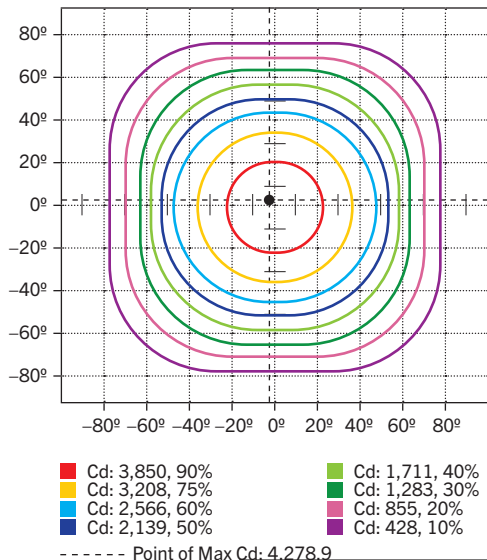


PERFORMANCE SPECIFICATIONS

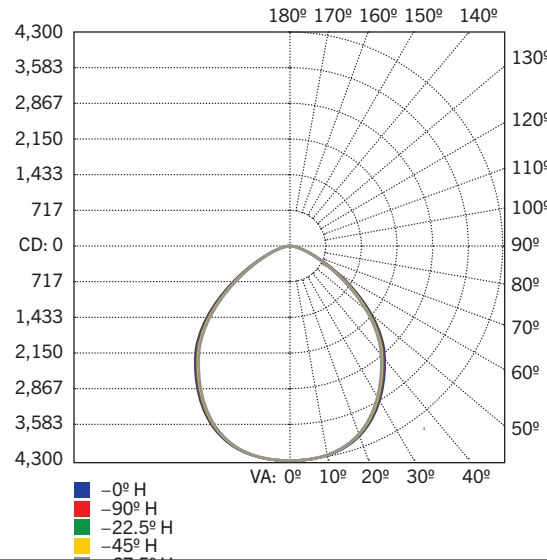
CATALOG NUMBER	NOMINAL LENGTH	INPUT VOLTAGE	CCT	WATTAGE	LUMEN OUTPUT	EFFICACY	CRI	POWER FACTOR	LIFETIME
HB-LED-1.5-80-840-P /G2	1.5 ft.	120–277V	4000K	80W	11,700	150 lm/W	>80.0	>0.90	50,000 hrs
HB-LED-1.5-80-850-P /G2	1.5 ft.	120–277V	5000K	80W	11,778	151 lm/W	>80.0	>0.90	50,000 hrs

PHOTOMETRIC SPECIFICATIONS

ISOCANDELA PLOT



POLAR CANDELA DISTRIBUTION

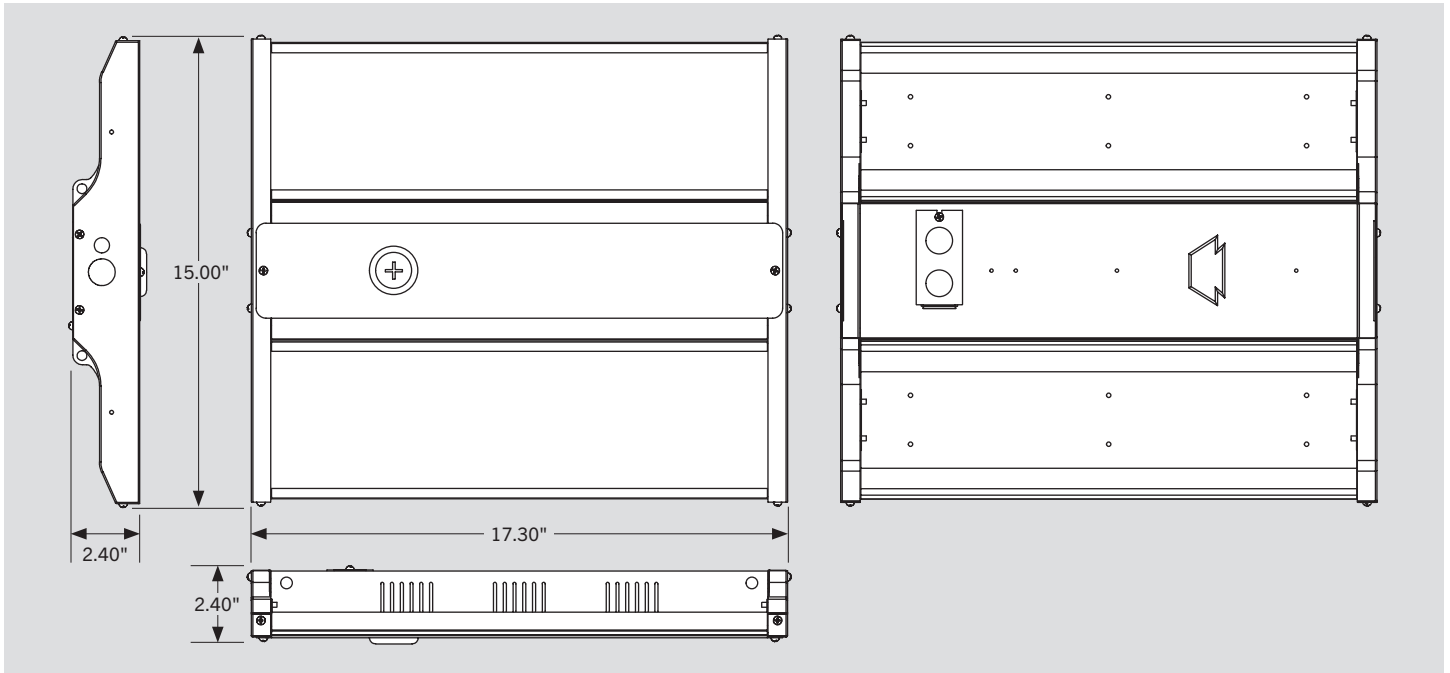


ZONAL LUMEN SUMMARY

Zone	Lumens	% Luminaire
0–30	3,290.9	29.80%
0–40	5,353.7	48.50%
0–60	9,111.7	82.60%
60–90	1,881.1	17.10%
70–100	725.0	6.60%
90–120	10.3	0.10%
0–90	10,992.8	99.70%
90–180	36.6	0.30%
0–180	11,029.4	100%

PROJECT	
TYPE	
CATALOG #	

PHYSICAL SPECIFICATIONS



ORDERING INFORMATION

ORDER CODE	PACK QTY.	UPC	EASY CODE
HB-LED-1.5-80-840-P /G2	1	843654136981	STZ-71
HB-LED-1.5-80-850-P /G2	1	843654136998	WXV-89