

| | |
|-----------|--|
| PROJECT | |
| TYPE | |
| CATALOG # | |



Complete Compact 90W LED High Bay Fixture; 120–277V Input

PRODUCT FEATURES

- Architectural grade compact design
- Designed to accept easy screw-in installation of optional sensors via 1/2" threaded receptacle in driver cover
- Compatible with emergency LED drivers; mounting kit required (sold separately)
- Powered by 0–10V dimming LED drivers with 12V Aux
- Frosted lens eliminates glare
- V-hook and chain mounting accessories included
- UL Listed 1598: Suitable for dry and damp locations
- Ambient operating temperature: $-20^{\circ}\text{C}/-4^{\circ}\text{F}$ to $50^{\circ}\text{C}/122^{\circ}\text{F}$
- THD: $< 20\%$
- PF: > 0.90
- LED chip lifetime: L70 $> 100,000$ hrs @ $25^{\circ}\text{C}/77^{\circ}\text{F}$ ambient fixture temp.

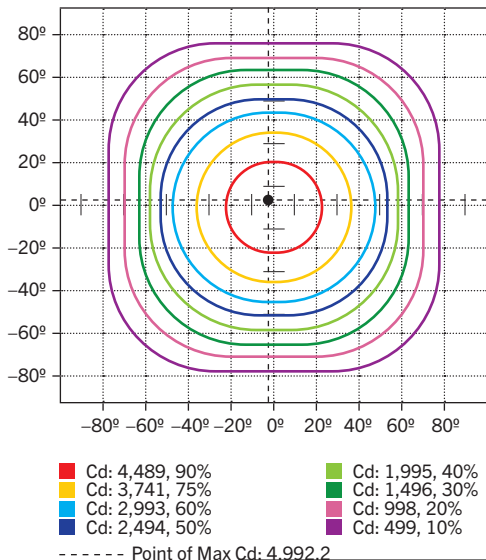


PERFORMANCE SPECIFICATIONS

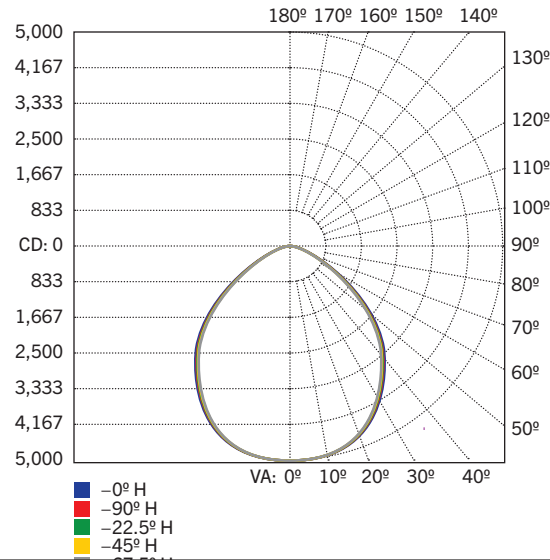
| CATALOG NUMBER | NOMINAL LENGTH | INPUT VOLTAGE | CCT | WATTAGE | LUMEN OUTPUT | EFFICACY | CRI | POWER FACTOR | LIFETIME |
|-------------------------|----------------|---------------|-------|---------|--------------|----------|----------|--------------|------------|
| HB-LED-1.5-90-840-P /G2 | 1.5 ft. | 120–277V | 4000K | 90W | 13,500 | 150 lm/W | > 80.0 | > 0.90 | 50,000 hrs |
| HB-LED-1.5-90-850-P /G2 | 1.5 ft. | 120–277V | 5000K | 90W | 13,590 | 151 lm/W | > 80.0 | > 0.90 | 50,000 hrs |

PHOTOMETRIC SPECIFICATIONS

ISOCANDELA PLOT



POLAR CANDELA DISTRIBUTION

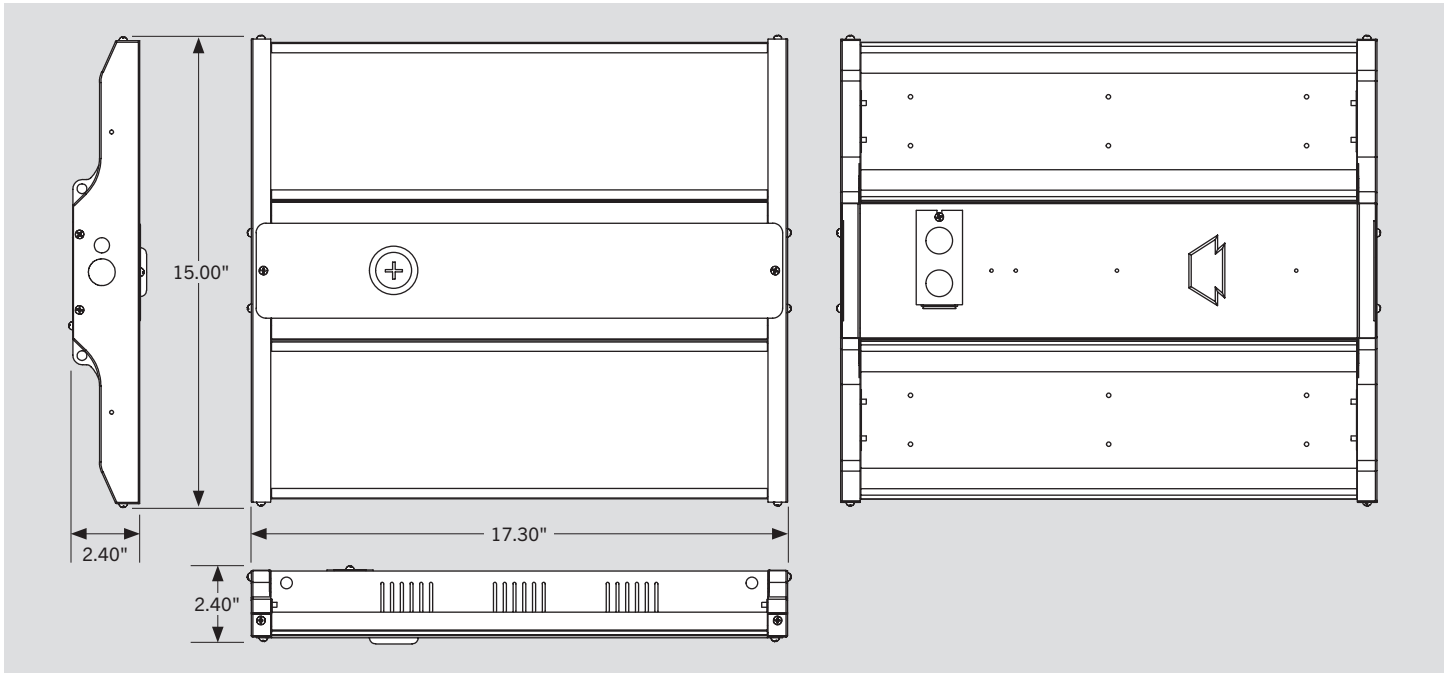


ZONAL LUMEN SUMMARY

| Zone | Lumens | % Luminaire |
|--------|----------|-------------|
| 0–30 | 3,852.1 | 29.70% |
| 0–40 | 6,275.4 | 48.40% |
| 0–60 | 10,717.6 | 82.60% |
| 60–90 | 2,224.9 | 17.10% |
| 70–100 | 855.3 | 6.60% |
| 90–120 | 9.0 | 0.10% |
| 0–90 | 12,942.5 | 99.70% |
| 90–180 | 45.7 | 0.30% |
| 0–180 | 12,978.2 | 100% |

| | |
|-----------|--|
| PROJECT | |
| TYPE | |
| CATALOG # | |

PHYSICAL SPECIFICATIONS



ORDERING INFORMATION

| ORDER CODE | PACK QTY. | UPC | EASY CODE |
|-------------------------|-----------|--------------|-----------|
| HB-LED-1.5-90-840-P /G2 | 1 | 843654137001 | UNT-10 |
| HB-LED-1.5-90-850-P /G2 | 1 | 843654137018 | AVJ-30 |