

PROJECT	
TYPE	
CATALOG #	



215W, 120–277V Input, 0–10V Dimming

DESCRIPTION

2' LED High Bay Fixture | 120–277V Input | Frosted Lens | 0–10V Dimming | Premium Series

APPLICATION

Used for commercial and industrial high bay lighting applications

PRODUCT FEATURES

- Powered by 0–10V dimming LED drivers
- Smooth diffused lens for an even appearance
- 0–10V Dimming, Dim-to-off
- Compatible with emergency LED drivers
- Compatible with 480–277V step down transformers
- Built in port to accept Quick install sensor, NO wiring required
- Ambient operating temperature: –40°C/–40°F to 50°C/122°F
- UL Listed 1598: Suitable for damp locations
- THD: <20%
- Power factor >0.95
- L70 >50,000 hours
- DLC Premium Listed
- Architectural grade compact design
- Frosted lens eliminates glare
- V-hook and chain mounting accessories included



POWER AND COLOR TEMPERATURE SELECTABILITY

- CCT Selectable Technology: Adjustable CCT (4000K/5000K)
- Wattage Selectable Technology: Adjustable Wattage (215W/175W/135W)



PRODUCT SPECIFICATIONS

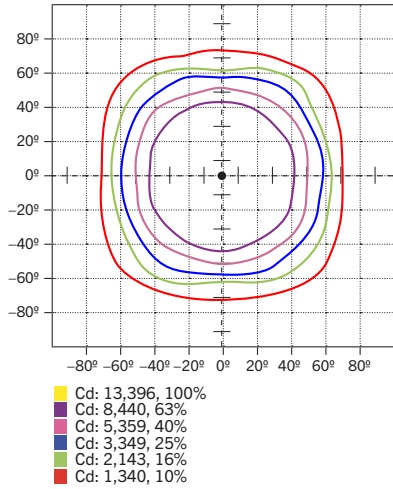
Catalog Number	Input Voltage	Wattage	CCT	Lumen Output	Efficacy	CRI	Power Factor	Lifetime
HB-LED-2B-215PS-8CSD-P	120–277V	215W	4000K	30,500	142 lm/W	> 80	> 0.90	50,000 hrs
			5000K	30,600	142 lm/W			
		175W	4000K	25,900	148 lm/W			
			5000K	26,000	149 lm/W			
		135W	4000K	20,800	154 lm/W			
			5000K	20,900	155 lm/W			

* Preset to highest lumen output (215W / 5000K)

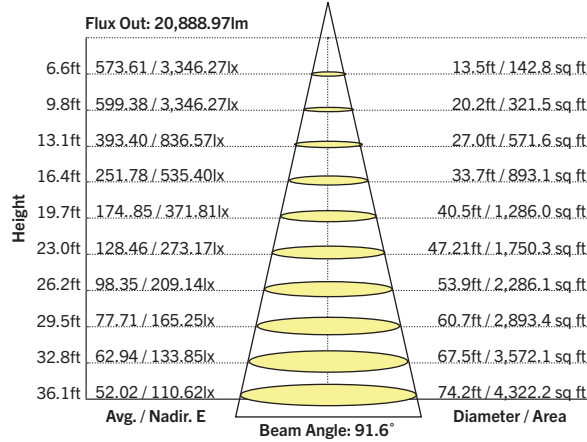
* Color Uniformity: CCT (Correlated

PROJECT	
TYPE	
CATALOG #	

PHOTOMETRIC SPECIFICATIONS

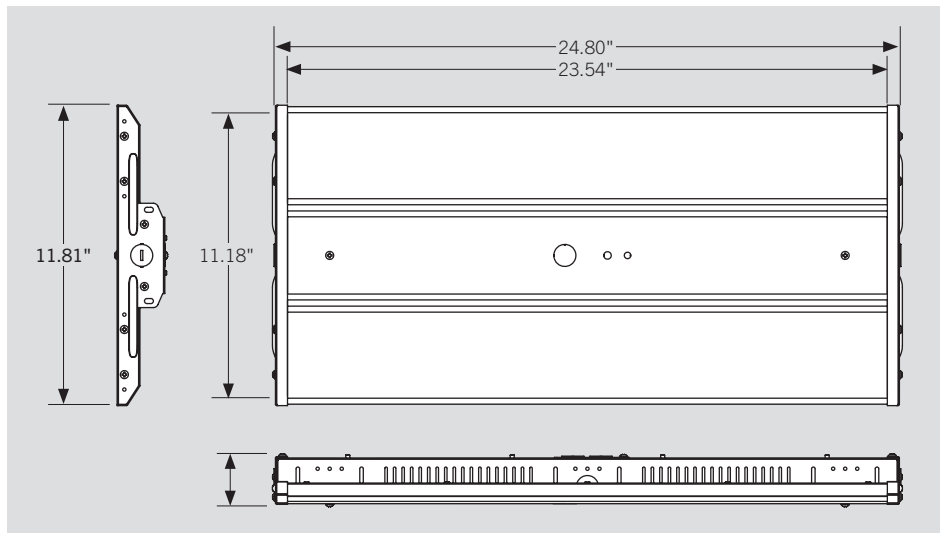


AVERAGE ILLUMINANCE



Zone	Lumens	% Luminaire
0-60	27,071	88%
60-90	3,353	11%
0-90	30,424	99%
90-180	256	1%
0-180	30,680	100%

PHYSICAL SPECIFICATIONS



Weight	12.6 lb
--------	---------

ORDERING INFORMATION

Catalog Number	Pack Quantity	Easy Code	UPC
HB-LED-2B-215PS-8CSD-P	TBD	JIF-88	843654134390