

Project	
Type	
Catalog #	

Overview

This attractive 1'x4' Direct/Indirect Center Basket Troffer Unit employs a soft low-glare contemporary design. The RDI-C unit is designed to provide uniform balanced illumination, consistent distribution, and high-end appearance.

Designed for use in most offices and retail establishments, this unit is as efficient as it is attractive.



Standard



CONSTRUCTION

Housing is die formed from heavy gauge steel and is finished in a matte white polyester powder coating for maximum reflectivity and durability. Perforated center basket incorporates hinges from both sides.

ELECTRICAL

All units are furnished with UL Listed Class P thermally protected led drivers. Other voltages are available upon request. Fixtures meet requirements for UL Luminaire Standard # 1598. All units comply with National Energy Standard. All units are UL certified damp location. Operates at a voltage of 120-277 (public spaces) with input voltage fluctuations of plus/minus 10 percent.

- Power Factor (PF) greater than or equal to 0.90 at full input power and across specified dimming range.
- Maximum Total Harmonic Distortion (THD) less than 20 percent at full input power and across specified dimming range.
- Operates for at least 50,000 hours at maximum case temperature and 90percent non-condensing relative humidity.
- Withstands Category A surges of 4 kV without impairment performance.
- Integral thermal protection that reduces the output power to protect the driver and light source from damage if the case temperature approaches or exceeds the driver's maximum operating temperature.
- 47 CFR 15. Complies with the requirements of the Federal Communications Commission (FCC) rules and regulations, Non-Consumer (Class A) for EMI/RFI (conducted and radiated).
- Class A sound rating.
- Restriction of Hazardous Substances (RoHS) compliant.

WARRANTY & LISTINGS

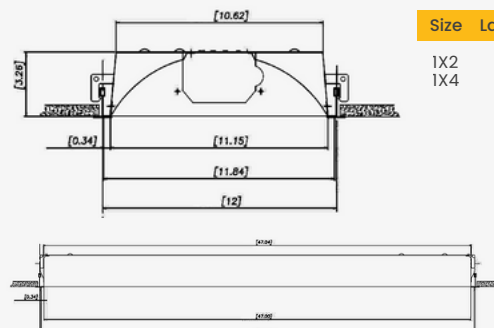
- 5-year warranty of all electronics and housing.
- UL Certified for damp location
- 50,000 hours of L70 LED Life
- CRI >80 (>90 AVAILABLE UPON REQUEST)

MOUNTING

Designed for use in inverted T Bar ceilings, this fixture comes with integral earthquake clips built into end plate. All units are equipped access plates for easy wiring as well as 7/8" knockouts in top, sides and end of all units.

DIMENSIONS

Max weight= 20lbs



Size	Lamps	H	W	L
1X2	LED	3.25	11.7	23.7
1X4	LED	3.25	11.7	47.7

ORDERING GUIDE

* 0-10v low voltage dimming standard per fixture

* Higher and custom lumen packages available upon request

Series	Size	Lumens	Color Temp	Options
1X4 RDI LED	12 = 1X2	1X2 3220 (17W) 4480 (24W) 5705 (30W)	30K - 3000K 35K - 3500K 40K - 4000K 50K - 5000K	EMER = Emergency driver FR = Frosted lens over LED Boards
	14 = 1X4			
		1X4 6910 (37W) 8640 (48W) 11797 (70W)		