

Project	
Type	
Catalog #	



### Standard



**Application:** Offices, Schools, Showrooms, Airports, Retail locations, and Healthcare facilities

## SPECIFICATIONS

Model No.	CBP-(XX)W2x2P-(XX)K	CBP-(XX)W2x4P-(XX)K
<b>Power</b>	25W/35W	33W/40W/50W
<b>Size</b>	2' x 2'	2' x 4'
<b>Input Voltage</b>	110-277 VAC	
<b>Rated Input Voltage (V)</b>	AC100-277V	
<b>Lumen</b>	3250 lm/4550 lm	4290 lm/5200 lm/6500 lm
<b>Protection Rating</b>	IP20 (For Indoor Use Only)	
<b>Power Factor</b>	0.95	
<b>Beam Angle</b>	110°	
<b>CCT</b>	CCT Tunable (3000K/4000K/5000K)	
<b>CRI</b>	>80 Ra	
<b>Working Life</b>	Lumen Maintenance over 70% @ 50,000+ Hours	
<b>Operating Temperature</b>	-4°F ~+105°F / -15°C ~+40°C	
<b>Product Size</b>	23.74" x 23.74" x 1.8"	23.74" x 47.76" x 1.8"
<b>Quantity/Master Pack</b>	2	2
<b>Master Pack Size</b>	25.78" x 25.78" x 4.15"	25.8" x 49.6" x 4.15"
<b>Master Pack Weight</b>	15.6 lb	31.9 lb

## DESCRIPTION

The slim LED troffers features a popular center basket design offers a clean, versatile style and volumetric distribution. It is typically used to replace 2x2 and 2x4 fluorescent light fixtures.

## FEATURES

- Featuring Tunable White Color Temperature: 3000K, 4000K, and 5000K
- Adjustable Wattage to meet different customer demands
- 0-10V Dimmable
- Body: Aluminum Heatsink for Efficient Heat Dissipation
- Diffusers are extruded from impact-modified acrylic for increased durability
- High efficiency: 130lm/w, DLC premium listed
- WARRANTY — 5-year limited warranty

## AVAILABLE OPTIONS

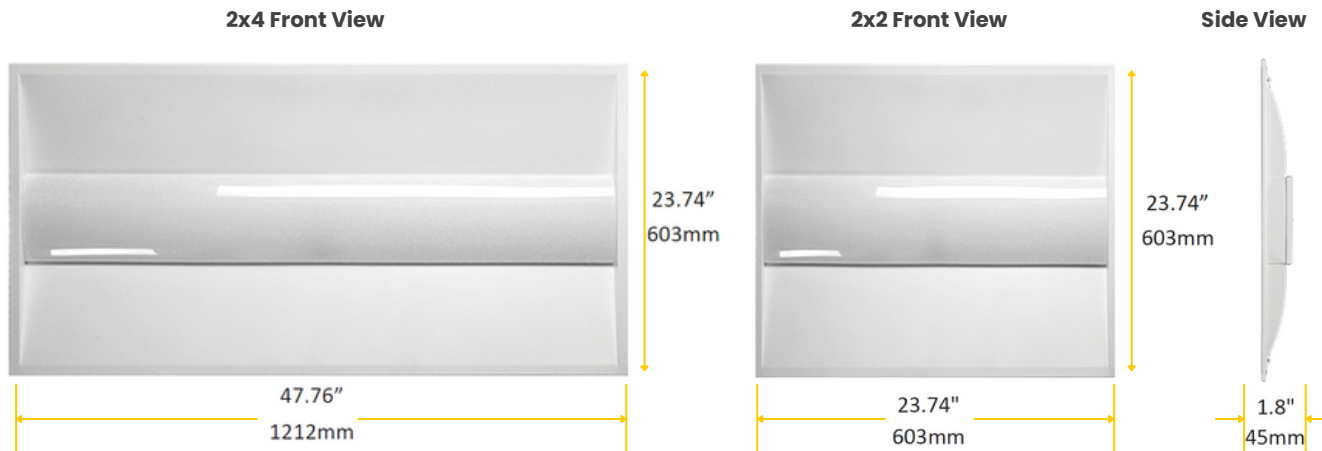
- 90-Minute Emergency Power Pack

## ORDERING GUIDE

### Model No: CBT-XXW2XXP-XXX

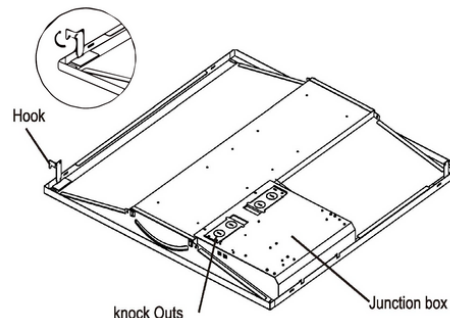
Product	Size	Wattage	P	CCT
CBP Center Basket Troffer	2' x 2'	25W/35W	DLC Premium	CCT Tunable: (3000K/4000K/5000K)
	2' x 4'	33W/40W/50W		

## DIMENSIONS

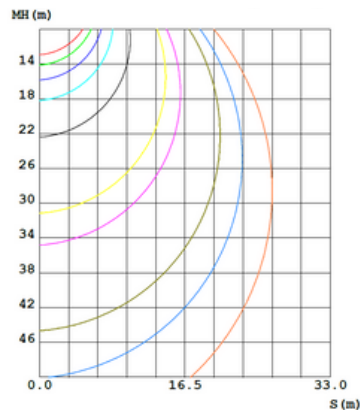


## INSTALLATION

- Turn OFF power to the fixture at the breaker panel before installation.
- Remove existing lamps, door frame (if applicable), reactor, and driver cover. Depending on clearance space, driver may need to be removed.
- Connect the BLACK/BROWN lead to LINE(+) supply lead. Connect the WHITE/BLUE lead to NEUTRAUCOMMON (-) supply lead.
- Connect the GREEN lead to GROUND supply lead.
- If any, connect PURPLE/BLUE to 0-10V SIGNAL supply lead and GREY/WHITE to 0-10V NEUTRAREFERENCE supply lead.
- For security, bend the end of the hook to the right at a 90-degree angle and attach the hook on the housing onto the T-Bar.

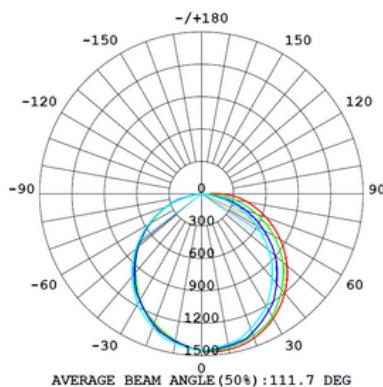


### CO PLANE ISOLUX DIAGRAM (UNIT:lx)



8.70	1.50
7.30	1.20
5.80	0.7300
4.40	0.5800
2.90	0.4400

### LUMINOUS INTENSITY DISTRIBUTION DIAGRAM



C0/180,116.5°	UNIT: cd
C30/210,114.0°	
C60/240,109.4°	
C90/270,106.9°	

## LIGHT DISTRIBUTION