

Project	
Type	
Catalog #	

### Standard



### Optional



### ILLUMINATION

- Two fully-adjustable 5.4 watt, glare-free lamp heads.
- High-performance reflector and tempered glass lens for optimal light distribution.
- Ultra-bright, energy efficient, long-life Red or Green LED exit sign illumination.

### ELECTRICAL

- Dual 120/277 voltage.
- Charge rate/power "ON" LED indicator light and push-to-test switch for mandated code compliance testing.
- 6V long life, maintenance-free, rechargeable NiCd battery.
- Internal solid-state transfer switch automatically connects the internal battery to LED board and LED lamp heads for minimum 90-minute emergency illumination.
- Fully automatic solid-state, two rate charger initiates battery charging to recharge a discharged battery in 24 hours.

### MOUNTING

- Mounting hardware provided for back surface wall mount.

### HOUSING

- 5VA flame retardant, UV-stabilized polycarbonate gray finish.
- High-impact resistant, UV-stabilized polycarbonate clear lens.
- Corrosion-resistant enclosure engineering grade silicone gasket.
- Top and side K/O's provided for conduit feed applications.
- EZ snap-out Chevron directional indicators.

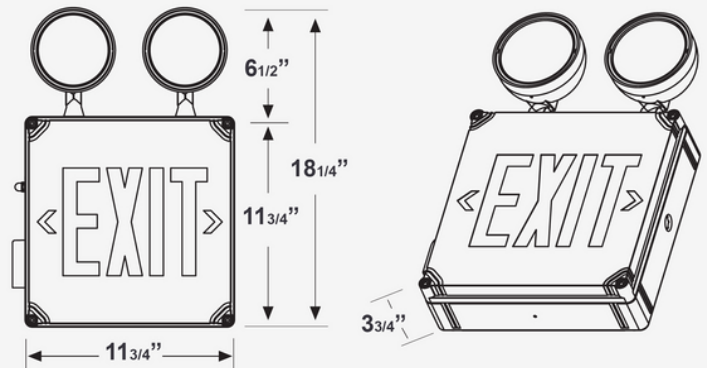
### OPTIONS

- **HTR:** Optional internal heater for cold temperature applications.

### WARRANTY & LISTINGS

- Five year warranty on all electronics and housing. Battery pro-rated for five years.
- Meets UL924, NFPA 101 Life Safety Code, NEC, OSHA, Local and State Codes.

### DIMENSIONS



### ORDERING GUIDE

Sample Part Number:  
**CWLXTE-1-R-EM**

Model	No. of Faces	Letters	Battery	Options
CWLXTE	1 - Single Face	R - Red G - Green	EM - Battery Backup	HTR = Internal Heater

Special voltage options available. Check with your KB Lighting Representative.



# CWLXTE

Wet Location LED Exit Sign  
& Incandescent Combo

## ELECTRICAL INFORMATION

Catalog Number	Input Watts (W)		Input Amps (A)	
	120V	277V	120V	277V
CWLXTE	7.2	7.7	0.063	0.030

## CENTER-TO-CENTER SPACING GUIDELINES

Consult factory for details.