

Project	
Type	
Catalog #	

### Overview

- 2'x2' LED panel light
- 20W, 30W, and 40W
- 120-277V input



### Standard



### PRODUCT FEATURES

- Wattage Selectable (40W/30W/20W)
- CCT Selectable (3500K/4000K/5000K)
- Features integrated SmartLoop Bluetooth™ mesh wireless sensor controller. The sensor controller may be used “out of the box” as a stand-alone sensor (pre-commissioned, see page 2 for details) or may be commissioned using the SmartLoop app to add advanced functions such as zoning, high-end trim, configure occupancy/vacancy behavior, create scenes, and set schedules.
- New backlit style design; fits standard T-grid ceilings
- Construction features precise optical lenses over each individual LED, offering optimal light diffusion and consistent surface illumination
- Suitable for damp locations
- Powered by 0-10V dimmable LED driver with built-in junction box
- Compatible with LED emergency backup
- Over 70% energy savings compared to traditional fluorescent troffers
- Operating temp range -20°C/-4°F to 40°C/104°F

\* For use in non-fire rated installations only

### PRODUCT SPECIFICATIONS

Catalog Number	Wattage	CCT	Lumen Output	Efficacy	Input Voltage	CRI	Power Factor	Lifetime
PNL-LED-2X2-40SW-SCT3/SLFC2	40W	3500K	4,400	110 lm/W	120-277V	>80	>0.9	50,000 Hours
		4000K	4,500	113 lm/W				
		5000K	4,450	111 lm/W				
	30W	3500K	3,400	111 lm/W				
		4000K	3,500	117 lm/W				
		5000K	3,450	115 lm/W				
	20W	3500K	2,400	111 lm/W				
		4000K	2,500	125 lm/W				
		5000K	2,450	123 lm/W				

ONE CATALOG NUMBER WITH 9 DIFFERENT OPTIONS

\* Preset to highest lumen output (40W / 5000K)

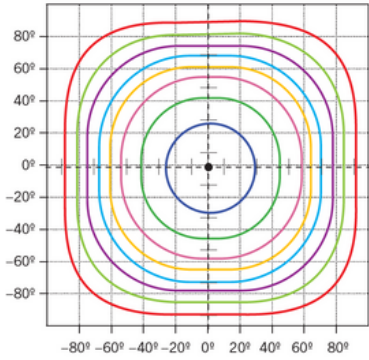
\* Color Uniformity: CCT (Correlated Color Temperature) range as per guidelines outlined in ANSI C78.377-2017

### ORDERING INFORMATION

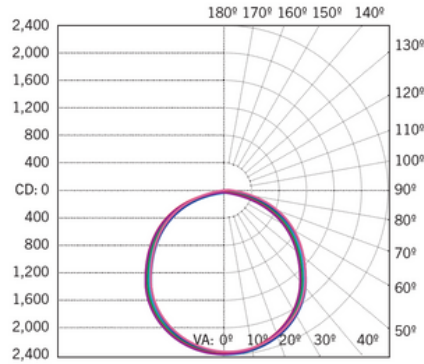
CATALOG NUMBER	CARTON QTY.	UPC	EASY CODE
PNL-LED-2X2-40SW-SCT3/SLFC2	2	843654151618	IWM-73

## PHOTOMETRIC SPECIFICATIONS

**ISOCANDELA PLOT**



**POLAR CANDELA DISTRIBUTION**



**ZONAL LUMEN SUMMARY**

Zone	Lumens	% Luminaire
0-60	3,252.2	78.4%
60-90	891.5	21.5%
0-90	4,147.6	100%

- Cd: 1,793, 90%
- Cd: 1,494, 75%
- Cd: 1,196, 60%
- Cd: 996, 50%
- Cd: 797, 40%
- Cd: 598, 30%
- Cd: 399, 20%
- Cd: 199, 10%

- Max Cd: 292.5° H
- 0° H
- 90° H
- 22.5° H
- 45° H
- 67.5° H

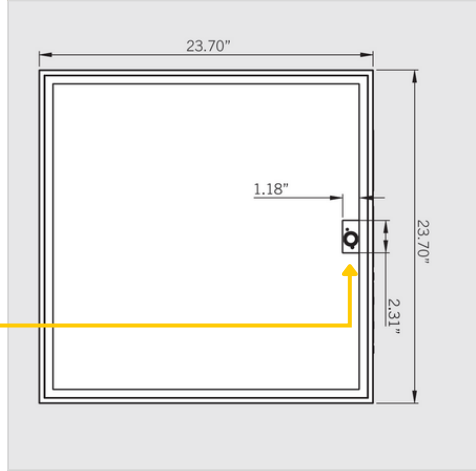
## PHYSICAL SPECIFICATIONS

**WEIGHT INFORMATION**

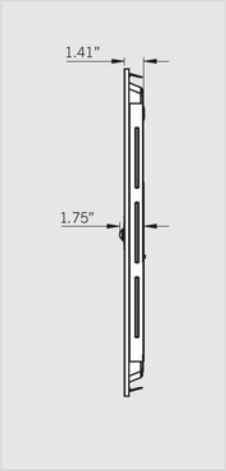
1 Piece	1 Carton
6.2 lbs	12.4 lbs



**Top View**



**Side View**



## SENSOR PERFORMANCE

ELECTRICAL SPECIFICATIONS	
RF Transmit Power	8dBm
Wireless Frequency	2.4GHz
Wireless Range (Open Air)	100ft
Wireless Protocol	Bluetooth 4.2
Sensor Detection Height	16' max
Daylight Harvesting Range	100-1000 lux

PRECONFIGURED SETTINGS	
Photo Sensor	Enabled
Motion Sensitivity	100%
Motion Sensor	Enabled
Motion Mode	Occupancy
Hold Time	20m
Standby Time	1m
Standby Percentage	50%

### SENSOR COVERAGE

