

# KXTEU Die-Cast Aluminum LED Exit Sign



Project:	
Type:	
Catalog #:	

## STANDARD



## OPTIONAL



### ILLUMINATION

- Ultra-bright, energy efficient, long-life Red or Green LED.

### ELECTRICAL

- Dual 120/277 voltage.
- Charge rate/power "ON" LED indicator light and push-to-test switch for mandated code compliance testing.
- 4.8V long life maintenance-free, rechargeable NiCd battery.
- Internal solid-state transfer switch automatically connects the internal battery to LED board for minimum 90-minute emergency illumination.
- Fully automatic solid-state, two-rate charger initiates battery charging to recharge a discharged battery in 24 hours.

### MOUNTING

- Aluminum mounting canopy included for top or end mount.
- Universal K/O pattern on back plate for wall mount.

### HOUSING

- Premium-grade, aluminum housing (also available in black or white powder-coated finishes).
- Field selectable knockout Chevron directional indicators.
- Unique design allows double face conversion in the field.
- Quick-snap face plate closure.

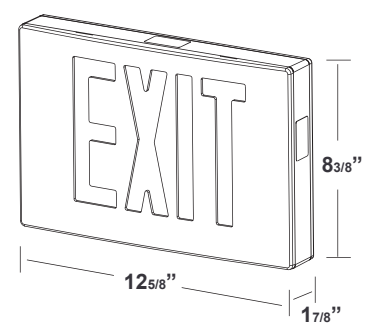
### OPTIONS

- TP: Tamper-proof hardware helps prevent unauthorized access to the unit.
- SDT: Self-diagnostic test feature performs monthly, biannually, and annually tests to ensure reliable operation and to meet electrical and life safety codes.
- 2C: Dual-circuit option on the AC-only unit enables it to be connected to two different (one acting as a back-up to the other) supplies at the same time.
- USA: Substantial transformation assembly in the U.S. complies with "Assembled in the USA" under the Buy American Act.

### WARRANTY/LISTING

- Five year warranty on all electronics and housing. Battery pro-rated for five years.
- Meets UL924, NFPA 101 Life Safety Code, NEC, OSHA, Local and State Codes.
- UL listed for damp locations. (0°C – 50°C)

### DIMENSIONS



### ORDERING INFORMATION

Sample Part Number: **KXTEU-1-R-B-A-EM**

Special voltage options available. Check with your Best Lighting Representative.

Model	No. of faces	Letters	Housing	Face	Battery	Options
KXTEU	1 Single Face	R Red	W White	W White	Blank AC Only	SDT Self-diagnostics
	2 Double Face	G Green	B Black	B Black	EM Battery Back-up	2C Dual-Circuit
	3 Universal Single /Double Face		A Aluminum	A Aluminum		TP Tamper-Proof USA Assembled in the USA

# KXTEU Die-Cast Aluminum LED Exit Sign

<b>Project:</b>	
<b>Type:</b>	
<b>Catalog #:</b>	

## ELECTRICAL INFORMATION

Catalog Number	Input Watts (W)		Input Amps (A)	
	120V	277V	120V	277V
KXTEU-RED/EM/2C/SDT	3.2	3.6	0.031	0.019
KXTEU-GREEN/EM/2C/SDT	3.8	4.4	0.033	0.017