

LED LINEAR STRIP

Project Name: _____
 Date: _____ Note: _____



Application: supermarket, warehouse, office, factory, commercial and industrial space

FEATURE

- Available in 4FT&8FT
- For single or continuous run row mounting
- Linkable: with wire harness connection kit included for connecting power between fixtures
- Surface or suspension mount option

OPTION

- Emergency Back-up
- Motion Sensor (On/Off or Bi-Level)

Certifications



SPECIFICATIONS

Model No	LAL-LED-4FT-XXW-XXK	LAL-LED-8FT-XXW-XXK
Power	32W/40W	40W/64W
Input Voltage	AC 110-277V	
Luminous Flux	32W: 4160 LM	40W: 5200 LM
	40W: 5200 LM	64W: 8320 LM
Efficacy	130 LM/W	
Power Factor	>0.9	
CCT	3000K/4000K/5000K	
CRI	>80	
Working Life	>50,000 hours	
Working Temperature	-10°F to 105°F	
Protection Level	Dry/Damp Location	
DLC Family Code	32W: EAEFTU	40W: DDDLHZ
	40W: DDDLID	64W: QQQUIZ
Qty/Pack	4	
Package Size	49.5"x7.5"x7.7"	98.8"x7.5"x7.7"
Package Weight	23.9 LB	41.5 LB

ACCESSORIES

Image	Description
	Suspension Mount Kit (Included)
	Alignment Bracket (Optional)

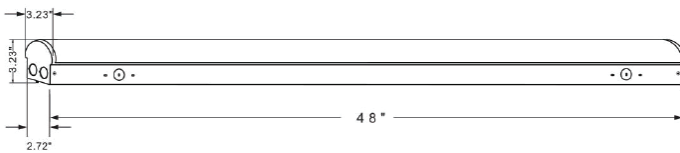
ORDERING CODE DEFINITION

EXAMPLE: LAL-LED-8FT-64W-5000K

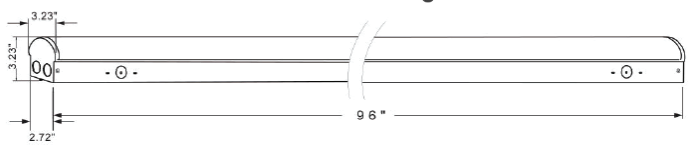
	Length	Wattage	CCT
LAL-LED	4FT	32W: 32W or 40W: 40W	CCT 3000K
	8FT	40W: 40W or 64W: 64W	Tunable 4000K 5000K

PRODUCT DIMENSIONS

4 FT:

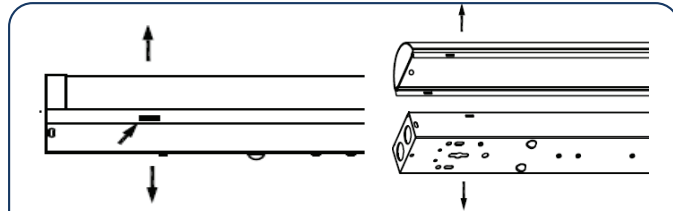


8 FT:



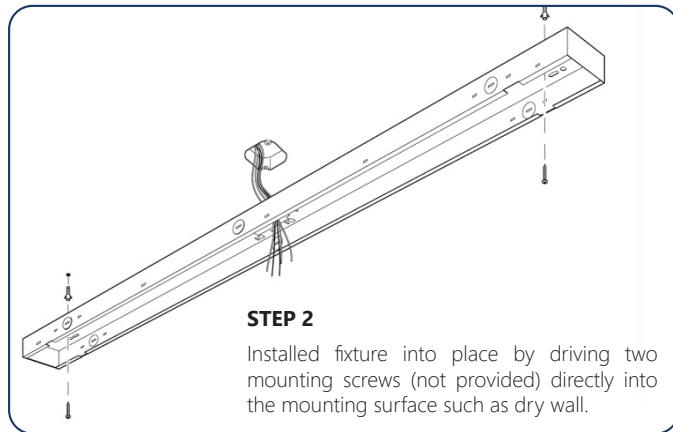
INSTALLATION INSTRUCTION

SURFACE MOUNT INSTALLATION



STEP 1

Disconnect the lens/light apart from the base housing part by slightly pressing the locking clip on the side of the fixture. Make sure the security cable is connected so the light part will be swing safely.



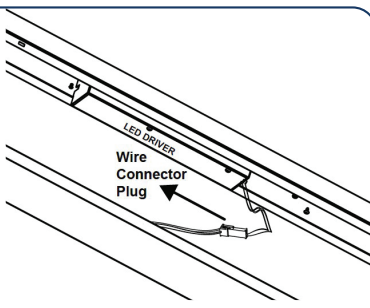
STEP 2

Installed fixture into place by driving two mounting screws (not provided) directly into the mounting surface such as dry wall.

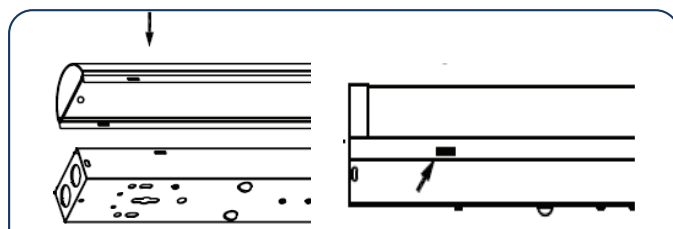
STEP 3

Once the base housing part is installed to the ceiling surface, connect the wiring to the LED driver as below:

- Black = AC Line
- White = AC Neutral
- Green/Yellow = Ground
- Purple = Dimming (+)
- Gray = Dimming (-)



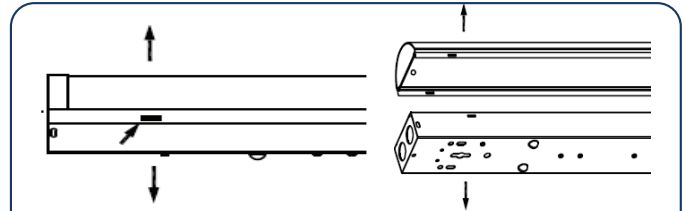
Once the wiring is completed. Make sure the lens/light part and base housing part is connected together using wire connector plug as figure 4



STEP 4

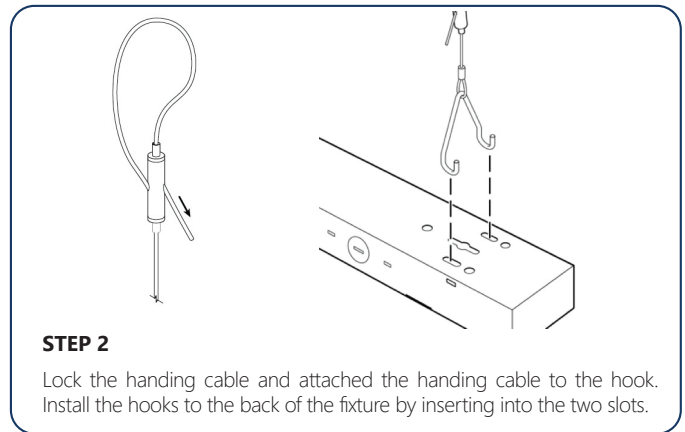
Install the light part back to the base part and you are all set

SUSPENDED MOUNT INSTALLATION



STEP 1

Disconnect the lens/light apart from the base housing part by slightly pressing the locking clip on the side of the fixture. Make sure the security cable is connected so the light part will be swing safely.



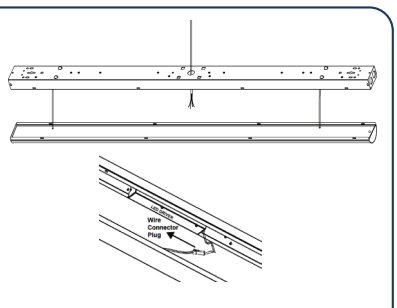
STEP 2

Lock the handing cable and attached the handing cable to the hook. Install the hooks to the back of the fixture by inserting into the two slots.

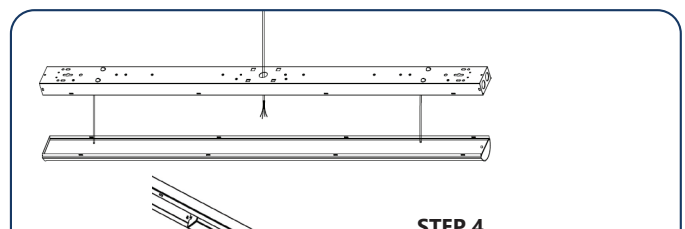
STEP 3

Once the base housing part is installed to the ceiling surface, connect the wiring to the LED driver as below:

- Black = AC Line
- White = AC Neutral
- Green/Yellow = Ground
- Purple = Dimming (+)
- Gray = Dimming (-)



Once the wiring is completed. Make sure the lens/light part and base housing part is connected together using wire connector plug.



STEP 4

Install the light part back to the base part and you are all set

INSTALLATION INSTRUCTION

CONNECTION INSTALLATION

1. Remove the knock out on the end of the fixtures. Use a separate wire to connect the AC wire terminal together and repeat the connection for the natural wire terminal. Connect the two dimmer wire as figure 1 if dimming function is needed. (max of 4pcs for 4FT & 3 pcs 8FT can be linked)

Connection Installation

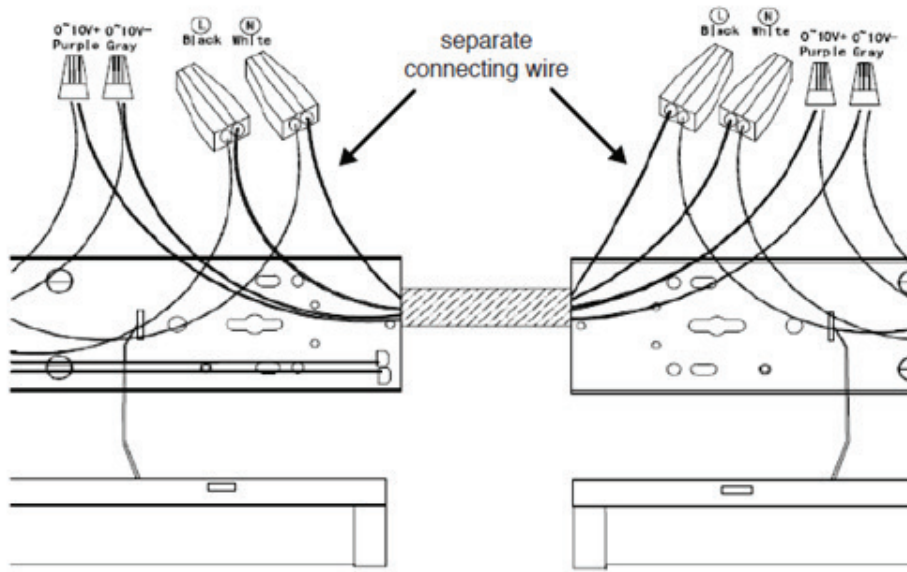


Figure 1

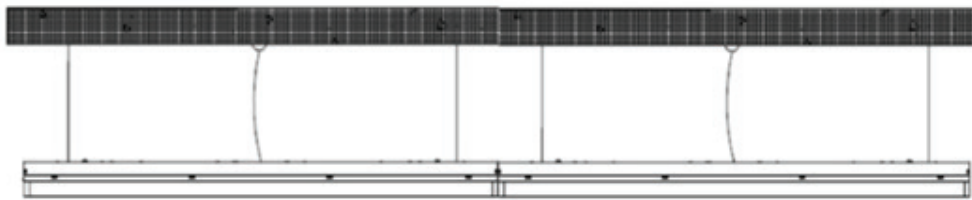


Figure 2

PHOTOMETRIC REPORT

