

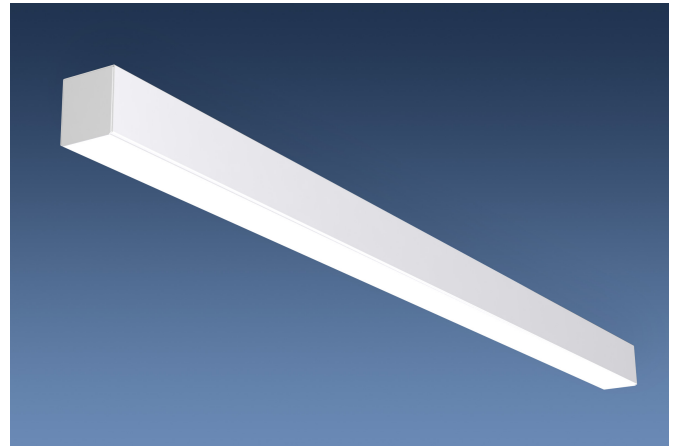
Project:	
Type:	
Catalog #:	

APPLICATIONS

A linear 4x4 fixture for distinctive architectural lighting plans. Ideal for corridors, lobbies and office areas, 4x4 Series fixtures can be installed individually or in a continuous run. Specifically designed for direct/indirect lighting with snap-in lens to hide the lamps or LED arrays. Ideal where downlight and uplight are required.

FEATURES & BENEFITS

- ◆ Fixtures can be surface mounted to the ceiling or pendant hung by!
- ◆ stem or cable.
- ◆ UL listed for damp locations
- ◆ CRI 80+
- ◆ BAA Compliant



SPECIFICATIONS

Die-formed and welded 22 gauge cold rolled steel. Knockouts on ends allow continuous wireway mounting. Housing is specially designed for direct/indirect lighting with separating lamps compartments for each. Fixture accepts various lenses or louvers. 4' and 8' units have a steel mullion to join two individual diffusers. Snap in lens is ideal for uplight.

ORDERING DATA

EXAMPLE: LP44-48-D-4480-DMV-WH-3K

LP44 Pendant Mount! LW44 Wall Mount	Length	LED	D Downlight	2FT	Voltage	Finish	Color Temp	Options
	24 22.75 inch			3166(17W)	DMV	WH White	30K 3000K	EM5 5w emergency battery back up
	36 34.75 inch			4350(24W)	120-277V Multivolt	xx custom color	35K 3500K	
	46 46.75 inch		UD Uplight/Downlight	5470(31W)	0-10V Dimmable		40K 4000K	EM12 12w emergency battery backup
	94 94.75 inch			6452 (39W)	D120		50K 5000K	
	xx custom length			4FT	Triac Dimming 120VAC			
				3220(17W)				
				4480 (24W)				
				5705 (30W)				
				6910 (37W)				
				8640 (48W)				
				11797(70W)				
				8FT				
				5705 (30W)				
				6910 (37W)				
				8640 (48W)!				
				11797 (70W)				
				13820 (78W)				
				17280 (99W)				
				22008 (128W)				

***For Uplight/downlight option, aluminum-backed led board is mounted on top of fixture**

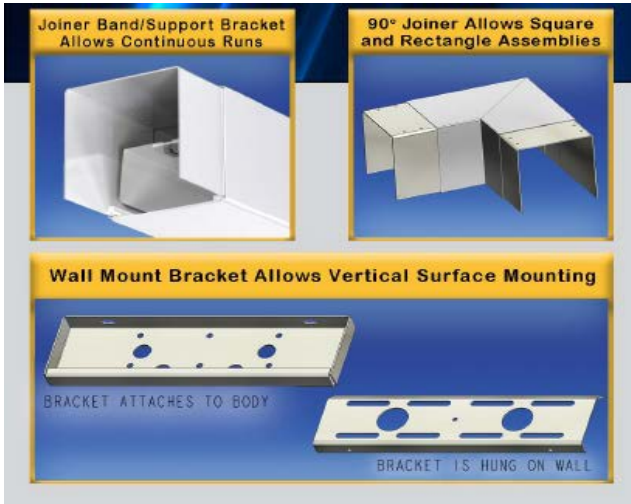
****Custom shapes and continuous runs are available please call**

*****Custom lumen packages available please call**

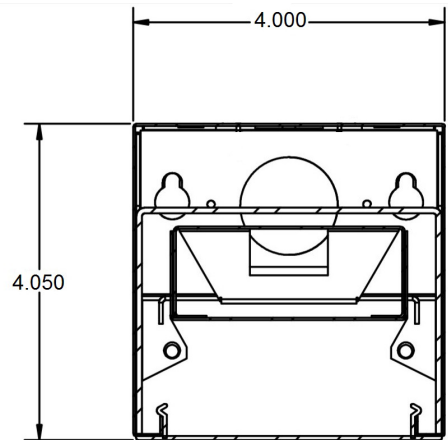
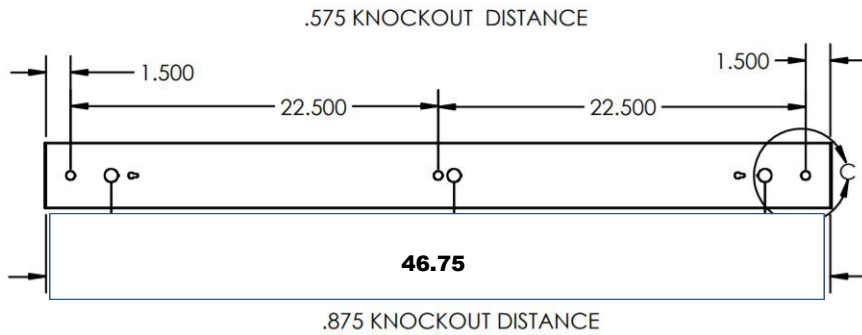
FOR UPLIGHT/DOWNLIGHT OPTION, UPLIGHT LUMENS WILL MIMIC DOWN LUMENS, DOUBLE THE WATTAGE

****SPECS SUBJECT TO CHANGE WITHOUT NOTICE**

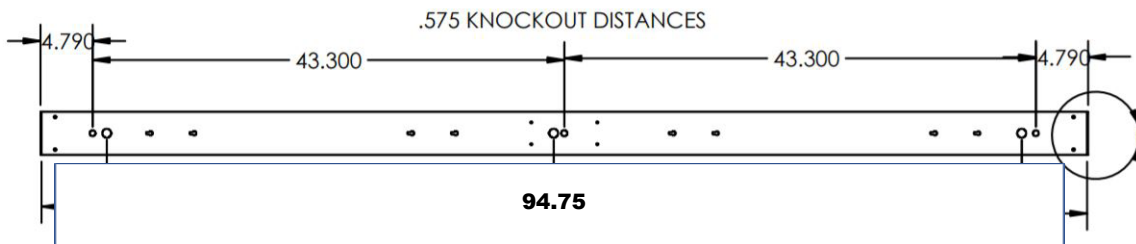
Project:	
Type:	
Catalog #:	



4FT Dimensions



8FT Dimensions



****SPECS SUBJECT TO CHANGE WITHOUT NOTICE**