

Project:	
Type:	
Catalog #:	



APPLICATIONS

A recessed linear 2x2 fixture for distinctive architectural lighting plans. Ideal for corridors, lobbies and office areas, 2x2 Series fixtures can be installed individually or in a continuous run. Specifically designed for direct/indirect lighting with snap-in lens to hide the lamps or LED arrays. Ideal where downlight and uplight are required.

FEATURES & BENEFITS

- ◆ Fixtures can be recessed in sheet rock or drop ceiling
- ◆ UL listed for damp locations
- ◆ CRI 80+
- ◆ BAA Compliant



SPECIFICATIONS

Die-formed and welded 22 gauge cold rolled steel. Knockouts on ends allow continuous wireway mounting. Housing is specially designed for direct/indirect lighting with separating lamps compartments for each. Fixture accepts various lenses or louvers. 4' and 8' units have a steel mullion to join two individual diffusers. Snap in lens is ideal for uplight.

ORDERING DATA

EXAMPLE: LRDCF22-48-D-4480-DMV-WH-3K

LRDCF22 Drop Ceiling Flanged	Length	LED	D Downlight	2FT	Voltage	Finish	Color Temp	Options
LRDWF22 Drywall Flanged	24 22.75 inch 36 34.75 inch 46 46.75 inch			3166(17W) 4350(24W) 5470(31W) 6452 (39W)	DMV 120-277V Multivolt 0-10V Dimmable	WH White xx custom color	30K 3000K 35K 3500K 40K 4000K 50K 5000K	EM5 5w emergency battery back up EM12 12w emergency battery backup
LRDWTL22 Drywall Trimless	94 94.75 inch xx custom length			4FT	D120 Triac Dimming 120VAC			
LRDWMK22 Drywall Mud Kit				8FT				
				3220(17W) 4480 (24W) 5705 (30W) 6910 (37W) 8640 (48W) 11797(70W)				
				5705 (30W) 6910 (37W) 8640 (48W)! 11797 (70W) 13820 (78W) 17280 (99W) 22008 (128W)				

****Custom shapes and continuous runs are available please call**

*****Custom lumen packages available please call**

FOR UPLIGHT/DOWNLIGHT OPTION, UPLIGHT LUMENS WILL MIMIC DOWN LUMENS, DOUBLE THE WATTAGE

****SPECS SUBJECT TO CHANGE WITHOUT NOTICE**

Project:	
Type:	
Catalog #:	

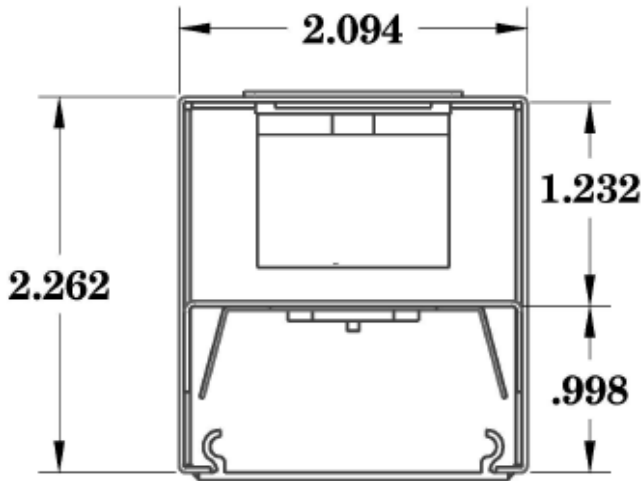
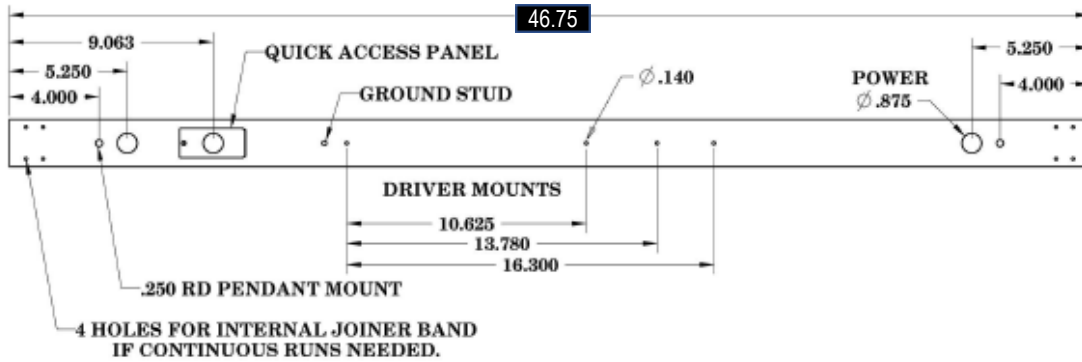
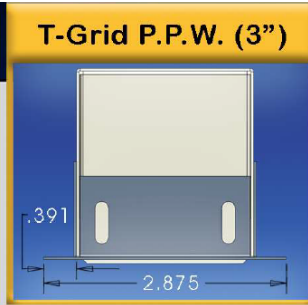
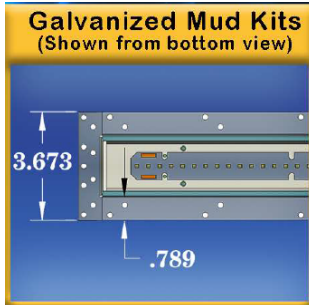


LRDWMK22

LRDWF22

LRDCF22

LRDWTL22



****SPECS SUBJECT TO CHANGE WITHOUT NOTICE**