

<b>Project:</b>	
<b>Type:</b>	
<b>Catalog #:</b>	



**APPLICATIONS**

A recessed linear 4x4 fixture for distinctive architectural lighting plans. Ideal for corridors, lobbies and office areas, 4x4 Series fixtures can be installed individually or in a continuous run. Specifically designed for direct/indirect lighting with snap-in lens to hide the lamps or LED arrays. Ideal where downlight and uplight are required.

**FEATURES & BENEFITS**

- ◆ Fixtures can be recessed in sheet rock or drop ceiling
- ◆ UL listed for damp locations
- ◆ CRI 80+
- ◆ BAA Compliant



**SPECIFICATIONS**

Die-formed and welded 22 gauge cold rolled steel. Knockouts on ends allow continuous wireway mounting. Housing is specially designed for direct/indirect lighting with separating lamps compartments for each. Fixture accepts various lenses or louvers. 4' and 8' units have a steel mullion to join two individual diffusers. Snap in lens is ideal for uplight.

**ORDERING DATA**

**EXAMPLE: LRDCF44-48-D-4480-DMV-WH-3K**

LRDCF44 Drop Ceiling Flanged	Length	LED	D Downlight	2FT	Voltage	Finish	Color Temp	Options
LRDWF44 Drywall Flanged	24 22.75 inch 36 34.75 inch 46 46.75 inch			<b>3166 (17W)</b> <b>4350 (24W)</b> <b>5470 (31W)</b> <b>6452 (39W)</b>	<b>DMV</b> 120-277V Multivolt 0-10V Dimmable	<b>WH</b> White <b>xx</b> custom color	<b>30K</b> 3000K <b>35K</b> 3500K <b>40K</b> 4000K <b>50K</b> 5000K	<b>EM5</b> 5w emergency battery back up <b>EM12</b> 12w emergency battery backup
LRDWT44 Drywall Trimless	94 94.75 inch xx custom length			<b>4FT</b>	<b>D120</b> Triac Dimming 120VAC			
LRDWMK44 Drywall Mud Kit				<b>8FT</b>				
				3220 (17W) 4480 (24W) 5705 (30W) 6910 (37W) 8640 (48W) 11797 (70W)				
				5705 (30W) 6910 (37W) 8640 (48W)! 11797 (70W) 13820 (78W) 17280 (99W) 22008 (128W)				

**\*\*Custom shapes and continuous runs are available please call**

**\*\*\*Custom lumen packages available please call**

**FOR UPLIGHT/DOWNLIGHT OPTION, UPLIGHT LUMENS WILL MIMIC DOWN LUMENS, DOUBLE THE WATTAGE**

**\*\*SPECS SUBJECT TO CHANGE WITHOUT NOTICE**

Project:	
Type:	
Catalog #:	

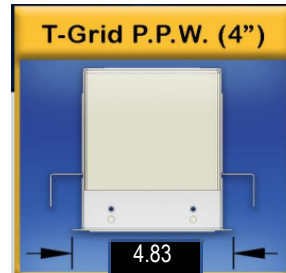
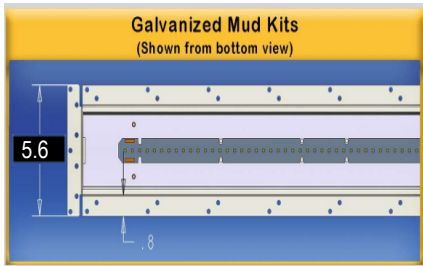


LRDWMK44

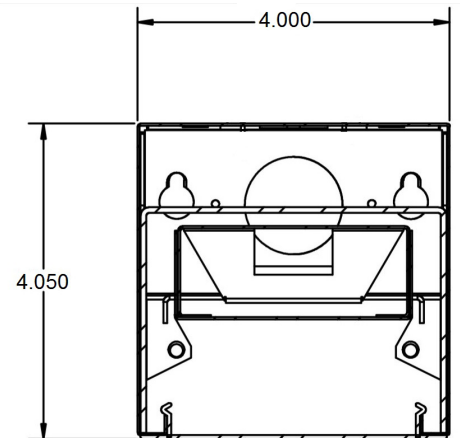
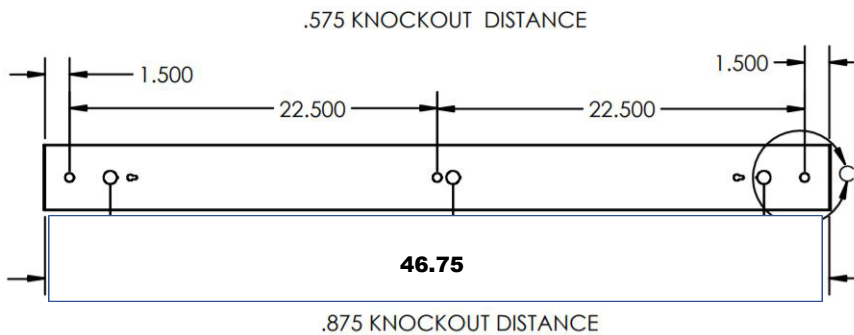
LRDWF44

LRDCF44

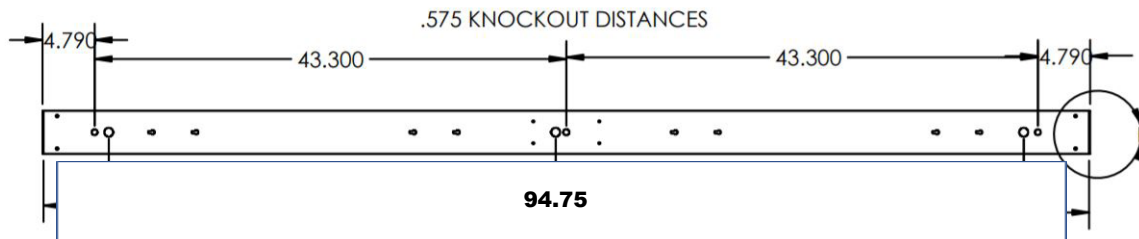
LRDWTL44



**4FT Dimensions**



**8FT Dimensions**



**\*\*SPECS SUBJECT TO CHANGE WITHOUT NOTICE**