

R-7 Recessed Incandescent Emergency Unit

Project:	
Type:	
Catalog #:	



STANDARD | **OPTIONAL**



ILLUMINATION

- Two fully adjustable 5.4W par type lamp heads.
- High-performance chrome-plated metal reflectors and plastic lens for optimal light distribution.

ELECTRICAL

- Dual 120/277 voltage.
- Charge rate/power "ON" LED indicator light and push-to-test switch for mandated code compliance testing.
- LVD (low voltage disconnect) prevents battery from deep discharge.
- 6V maintenance-free, rechargeable Sealed lead acid battery.
- Internal solid-state transfer switch automatically connects the internal battery to lamp heads for minimum 90-minute emergency illumination.
- Fully automatic solid-state, two-rate charger initiates battery charging to recharge a discharged battery in 24 hours.

MOUNTING

- Bar hangers on the back box for recessed mount.
- Compatible with drywall or drop ceiling mount installations. Bar hangers included.

HOUSING

- Durable 20 gauge steel trim plate in white or black finish.
- Trim securely attached to housing with spring clips.

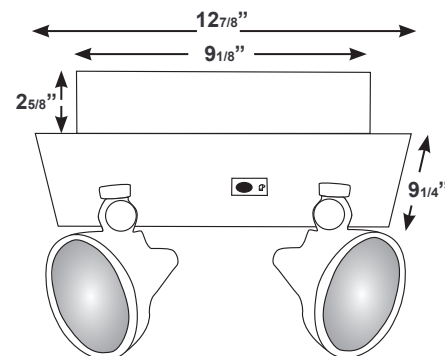
OPTIONS

- **SDT:** Self-diagnostic test feature performs monthly, biannually, and annually tests to ensure reliable operation and to meet electrical and life safety codes.
- **USA:** Substantial transformation assembly in the U.S. complies with "Assembled in the USA" under the Buy American Act.

WARRANTY/LISTING

- Five year warranty on all electronics and housing. Battery pro-rated for two years.
- Meets UL924, NFPA 101 Life Safety Code, NEC, OSHA, Local and State Codes.
- UL listed for dry locations. (25°C)

DIMENSIONS



ORDERING INFORMATION

Sample Part Number: R-7

Special Voltage options available.
Check with your Best Lighting representative.

Model	Housing Color	Options
R-7	Blank White	SDT Self Diagnostics
	B Black	USA Assembled in the USA

R-7 Recessed Incandescent Emergency Unit

Project:	
Type:	
Catalog #:	

ELECTRICAL INFORMATION

Catalog Number	Input Watts (W)		Input Amps (A)	
	120V	277V	120V	277V
R-7/SDT	5.0	5.0	0.05	0.03

CENTER-TO-CENTER SPACING GUIDELINES

Consult factory for details.