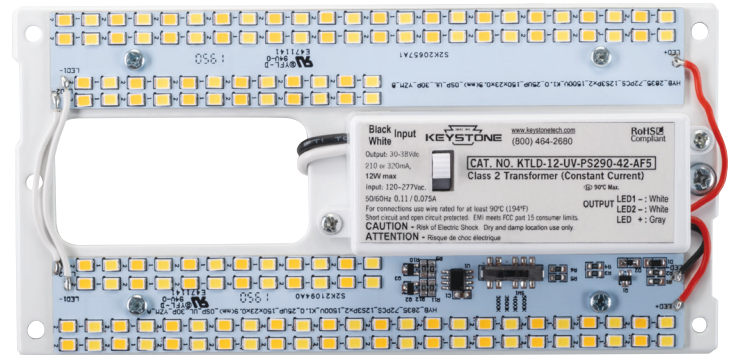


Project:	
Type:	
Catalog #:	



DESCRIPTION

6" Rectangular Power/CCT-Selectable LED Light Engine

- Power and CCT are selectable via DIP switches
- Operating temperature: -20°C/-4°F to 45°C/113°F
- L70 > 50,000 hours
- UL classified
- Meets FCC Part 15, Class B (consumer) limit
- Beam angle: 120°
- THD: <20%
- Pre-assembled; mounting accessories included
- Energy Star Listed

PERFORMANCE SPECIFICATIONS

Catalog Number	Input Voltage	Selectable Wattage	Selectable CCT	CRI	Total Lumens	System Efficacy
RKIT12PS-6RP-8CSC	120-277V	8W	3000K	> 80	1,050 lm	131 lm/W
			3500K	> 80	1,075 lm	134 lm/W
			4000K	> 80	1,110 lm	139 lm/W
			5000K	> 80	1,150 lm	144 lm/W
		12W*	3000K	> 80	1,550 lm	129 lm/W
			3500K	> 80	1,575 lm	131 lm/W
			4000K	> 80	1,600 lm	133 lm/W
			5000K*	> 80	1,650 lm	138 lm/W

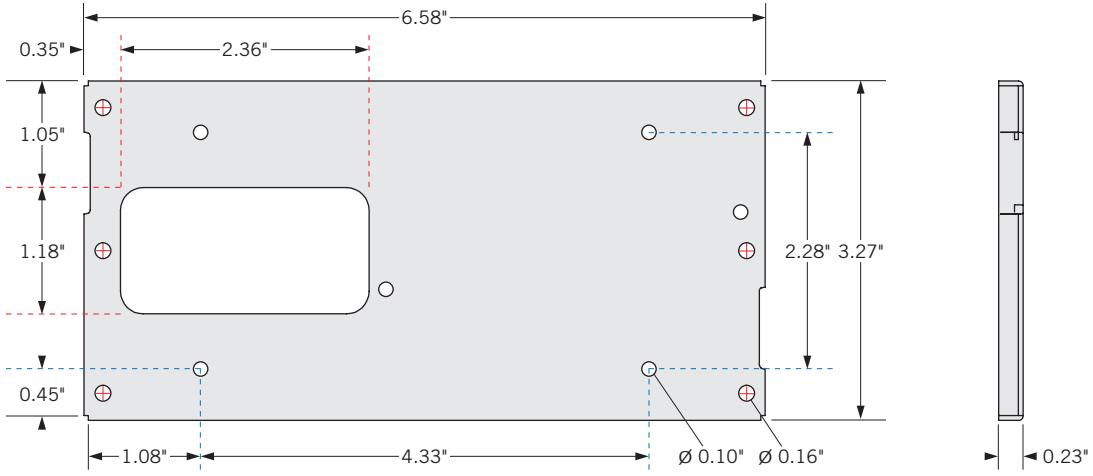
* Default setting

Note: Color Uniformity: CCT (Correlated Color Temperature) range as per guidelines outlined in ANSI C78.377-2017

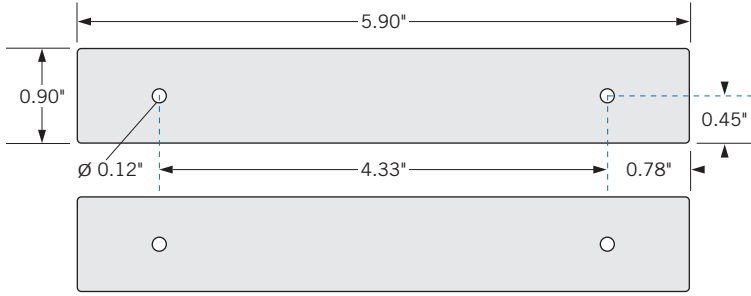
Project:	
Type:	
Catalog #:	

PHYSICAL SPECIFICATIONS

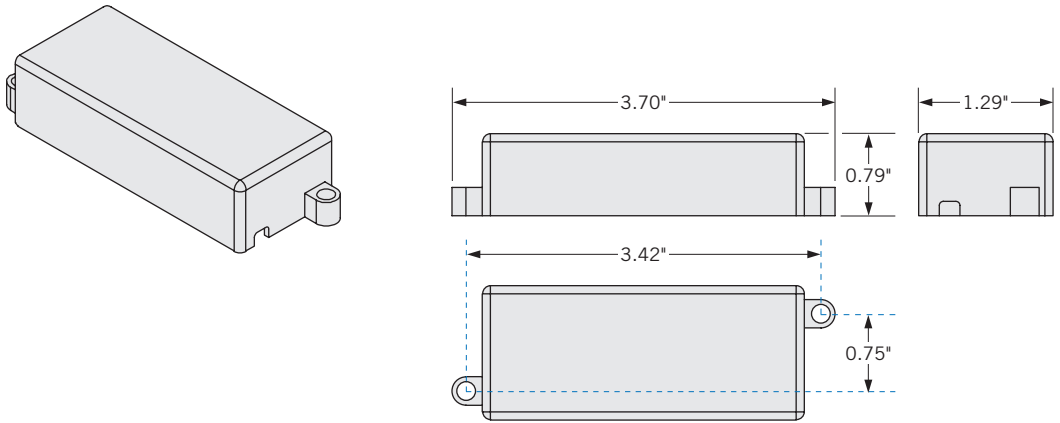
METAL PAN



LED MODULE



LED DRIVER



Dimensions

Length	3.70"
Width	1.29"
Height	0.79"
Mounting (Length)	3.42"
Mounting (Width)	0.75"