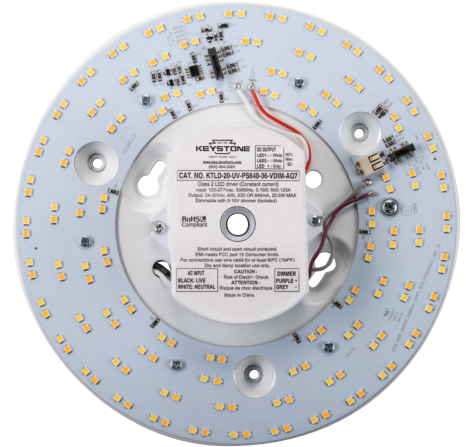


Project:	
Type:	
Catalog #:	



**DESCRIPTION**

8" Circular Power/CCT-Selectable LED Light Engine

**PRODUCT FEATURES**

- Power and CCT are selectable via DIP switches
- Operating temperature: -20°C/-4°F to 45°C/113°F
- L70 > 50,000 hours
- UL classified
- Meets FCC Part 15, Class B (consumer) limit
- Beam angle: 120°
- THD: < 20%
- Dimming: 0-10V
- Minimum dimming level: 10%
- Pre-assembled; mounting accessories included
- Energy Star Listed

**PERFORMANCE SPECIFICATIONS**

Catalog Number	Input Voltage	Dimming Type	Selectable Wattage	Selectable CCT	CRI	Total Lumens	System Efficacy
RKIT20PS-8CP-8CSC-VDIM	120-277V	0-10V	13.5W	3000K	> 80	2,100 lm	156 lm/W
				3500K	> 80	2,125 lm	157 lm/W
				4000K	> 80	2,150 lm	159 lm/W
				5000K	> 80	2,200 lm	163 lm/W
			17W	3000K	> 80	2,650 lm	156 lm/W
				3500K	> 80	2,675 lm	157 lm/W
				4000K	> 80	2,700 lm	159 lm/W
				5000K	> 80	2,750 lm	162 lm/W
			20.5W*	3000K	> 80	3,100 lm	151 lm/W
				3500K	> 80	3,125 lm	152 lm/W
				4000K	> 80	3,150 lm	154 lm/W
				5000K*	> 80	3,200 lm	156 lm/W

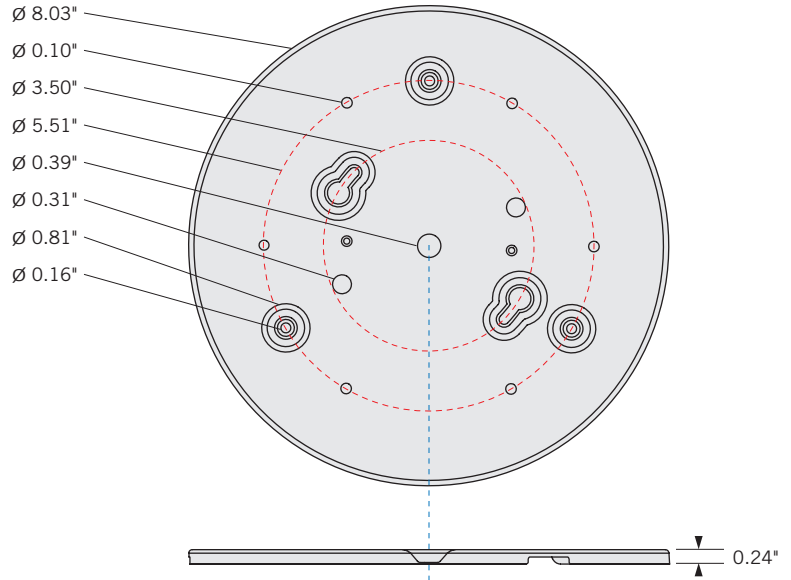
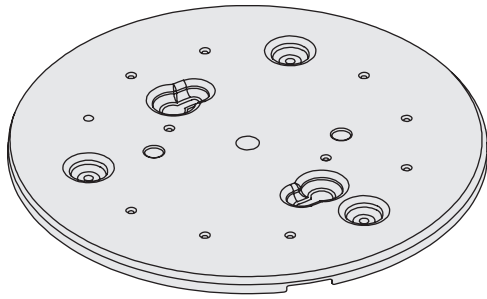
\* Default setting

**Note:** Color Uniformity: CCT (Correlated Color Temperature) range as per guidelines outlined in ANSI C78.377-2017

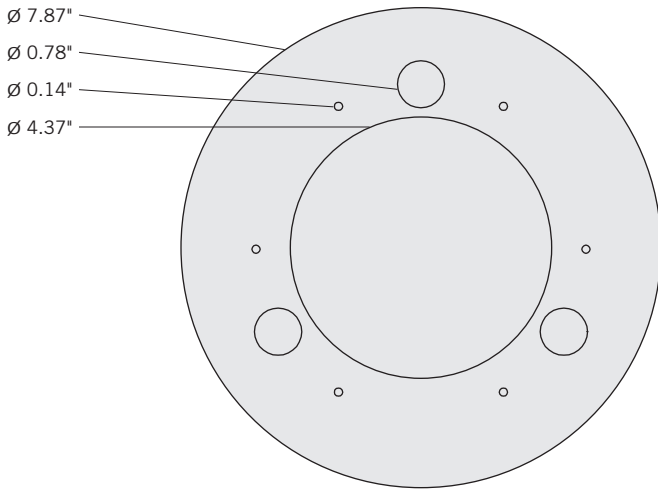
Project:	
Type:	
Catalog #:	

**PHYSICAL SPECIFICATIONS**

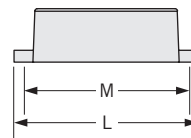
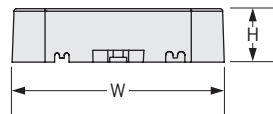
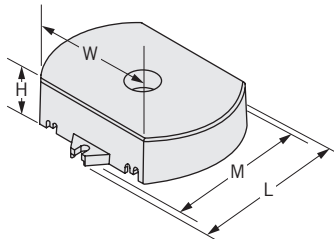
**METAL PAN**



**LED MODULE**



**LED DRIVER**



**Dimensions**

Width (W)	3.54"
Length (L)	3.07"
Height (H)	0.88"
Mounting (M)	2.75"