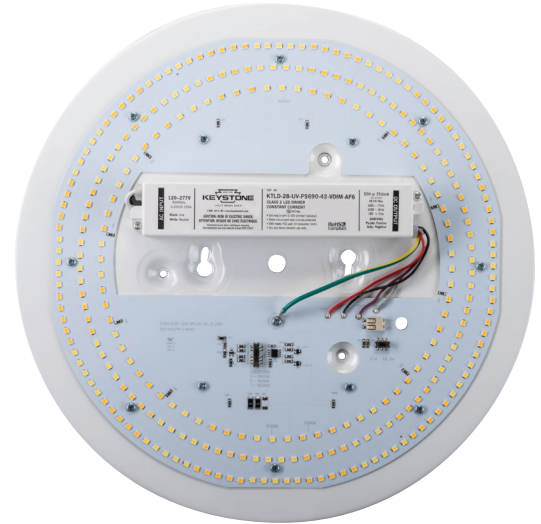


Project:	
Type:	
Catalog #:	



DESCRIPTION

13" Circular Power/CCT-Selectable LED Light Engine

PRODUCT FEATURES

- Power and CCT are selectable via DIP switches
- Operating temperature: -20°C/-4°F to 45°C/113°F
- L70 > 50,000 hours
- UL classified
- Meets FCC Part 15, Class B (consumer) limit
- Beam angle: 120°
- THD: <20%
- Dimming: 0-10V
- Minimum dimming level: 10%
- Pre-assembled; mounting accessories included
- Energy Star Listed

PERFORMANCE SPECIFICATIONS

Catalog Number	Input Voltage	Dimming Type	Selectable Wattage	Selectable CCT	CRI	Total Lumens	System Efficacy
RKIT28PS-13CP-8CSC-VDIM	120-277V	0-10V	21W	3000K	> 80	3,100 lm	148 lm/W
				3500K	> 80	3,125 lm	149 lm/W
				4000K	> 80	3,150 lm	150 lm/W
				5000K	> 80	3,200 lm	152 lm/W
			28.5W*	3000K	> 80	4,100 lm	144 lm/W
				3500K	> 80	4,125 lm	145 lm/W
				4000K	> 80	4,150 lm	146 lm/W
				5000K*	> 80	4,200 lm	147 lm/W

* Default setting

Note: Color Uniformity: CCT (Correlated Color Temperature) range as per guidelines outlined in ANSI C78.377-2017

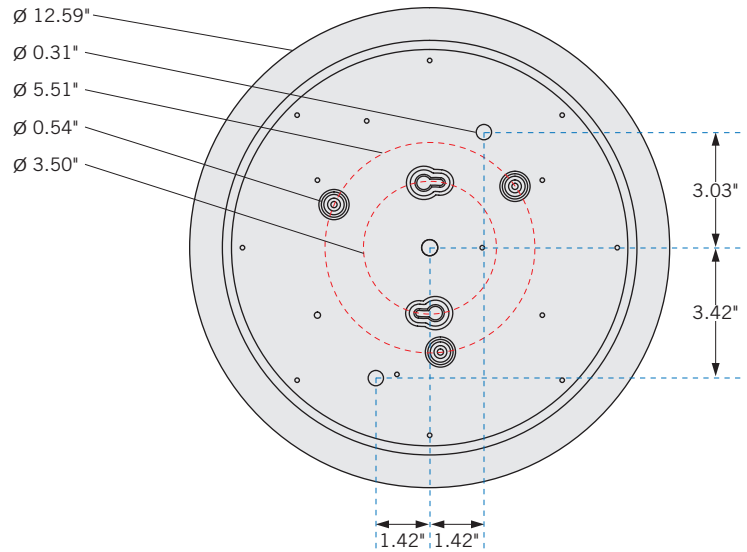
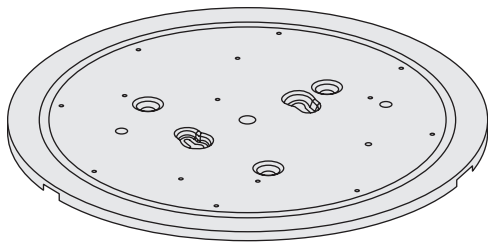
Project:	
Type:	
Catalog #:	

RKIT28PS-13CP-8CSC-VDIM

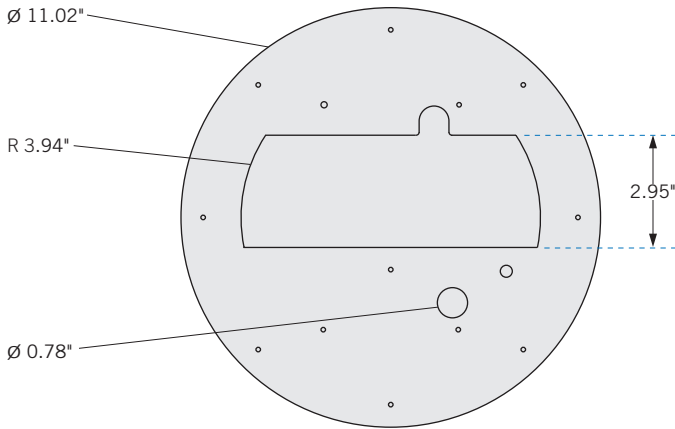
CIRCULAR POWER/CCT SELECTABLE LED LIGHT ENGINE

PHYSICAL SPECIFICATIONS

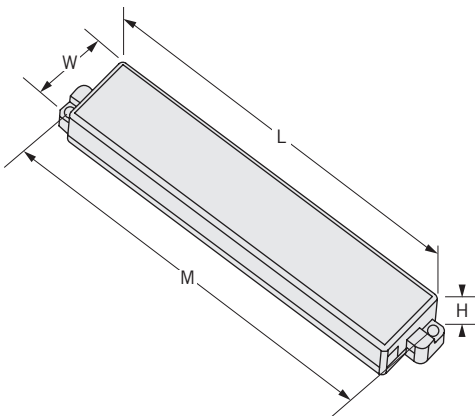
METAL PAN



LED MODULE



LED DRIVER



Dimensions

Length (L)	6.95"
Width (W)	1.30"
Height (H)	0.85"
Mounting (M)	6.65"