

# SRK-LED-8-55PS-8CSA

## 8' LED RETROFIT STRIP KIT

PROJECT	
TYPE	
CATALOG #	



### 8' LED Retrofit Strip Kit, 120-277V, 0-10V Dimming

#### PRODUCT FEATURES

- CCT Selection: Adjust CCT between 3500K, 4000K, or 5000K
- Wattage Selection: Adjust Wattage between 55W, 46W, and 35W
- Used to upgrade existing 4" - 5.25" wide strip fixtures without modifying the existing fixture mounting
- Powered by 0 –10V dimming LED drivers
- Ambient operating temperature: -20°C/-4°F to 50°C/122°F
- Driver includes 12V tap, compatible with a wide variety of low voltage sensor options (to be installed at the fixture level.)
- Low optical flicker
- THD: < 20%
- Power factor > 0.95



#### POWER AND COLOR TEMPERATURE SELECTABILITY

- CCT Selection: Adjustable CCT (3500K/4000K/5000K)
- Wattage Selection: Adjustable Wattage (55W/46W/35W)

#### PRODUCT SPECIFICATIONS

Catalog Number	Input Voltage	Wattage	CCT	Lumen Output	Efficacy	CRI	Power Factor	Lifetime
SRK-LED-8-55PS-8CSA	120–277V	55W	3500K	7,150	130 lm/W	> 80	> 0.90	50,000 hrs
			4000K	7,205	131 lm/W			
			5000K	7,260	132 lm/W			
		46W	3500K	6,256	136 lm/W			
			4000K	6,302	137 lm/W			
			5000K	6,348	138 lm/W			
		35W	3500K	4,865	139 lm/W			
			4000K	4,900	140 lm/W			
			5000K	4,935	141 lm/W			

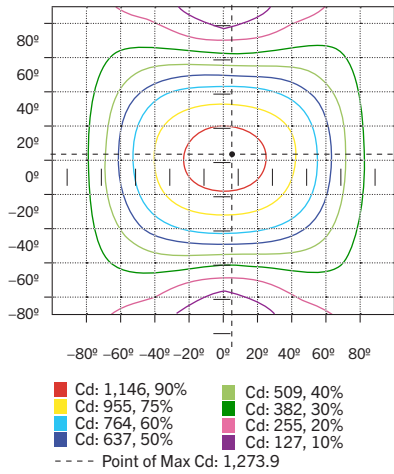
#### ONE CATALOG NUMBER WITH 9 DIFFERENT OPTIONS

\* Preset to highest lumen output (55W / 5000K)  
 \* Color Uniformity: CCT (Correlated Color Temperature) range as per guidelines outlined in ANSI C78.377-2017.

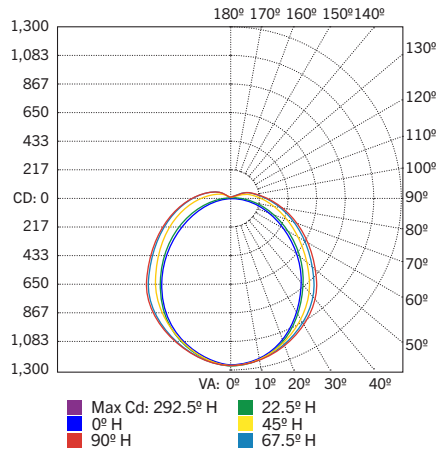
PROJECT	
TYPE	
CATALOG #	

### PHOTOMETRIC SPECIFICATIONS

#### ISOCANDELA PLOT



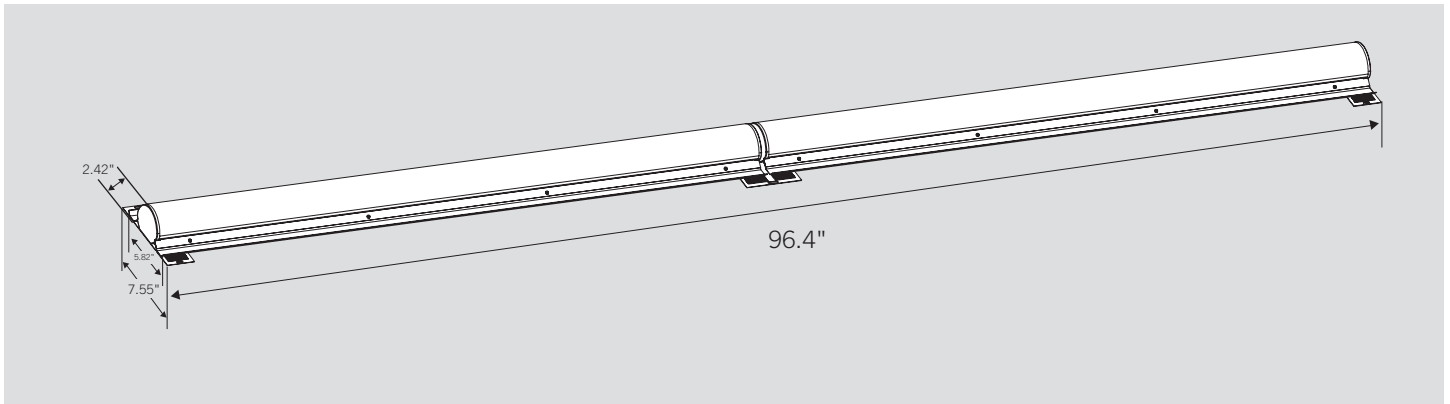
#### POLAR CANDELA DISTRIBUTION



#### ZONAL LUMEN SUMMARY

Zone	Lumens	% Luminaire
0-60	2,796.1	66.80%
60-90	1,073.9	25.70%
0-90	3,869.9	92.50%
90-180	313.2	7.50%
0-180	4,183.1	100%

### PHYSICAL SPECIFICATIONS



### ORDERING INFORMATION

Catalog Number	Pack Quantity	Easy Code	UPC
SRK-LED-8-55PS-8CSA	TBD	ZYL-89	843654135366