

PROJECT	
TYPE	
CATALOG #	



## 4' LED Stairwell Fixture, 120–277V Input, Frosted Lens, 0–10V Dimming, Premium Series

### PRODUCT FEATURES

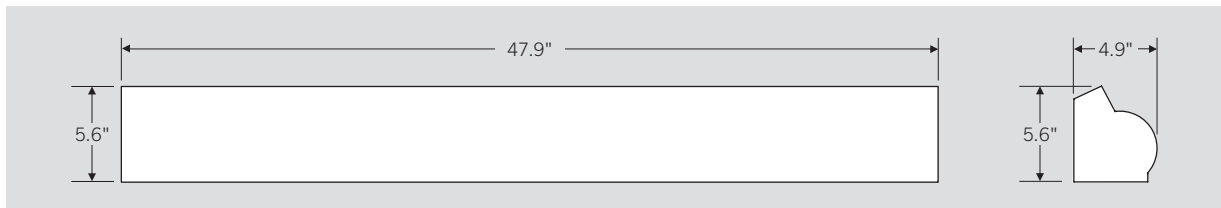
- CCT Selectable (3500/4000/5000K)
- Wattage Selectable (44/35/30W)
- Powered by 0–10V dimming LED drivers
- Post-painted steel body; PMMA lens
- Smooth, diffused lens for an even appearance
- 0-10V bi-level dimming
- Compatible with emergency LED drivers
- Includes integrated bi-level ultrasonic occupancy sensor
- Ambient operating temperature: –20°C/–4°F to 50°C/122°F
- UL Listed 1598: Suitable for damp locations
- THD: < 20%
- Power factor: > 0.95
- L70: > 50,000 hours
- DLC Listed



### PRODUCT SPECIFICATIONS

Catalog Number	Wattage	CCT	Lumen Output	Efficacy	Input Voltage	CRI	Dimming	Lifetime
SW-LED-4A-45PS-8CSA	45W	3500K	5,490	122 lm/W	120–277V	> 80	0–10V Dim-to-Off	50,000 hrs
		4000K	5,535	123 lm/W				
		5000K	5,580	124 lm/W				
	35W	3500K	4,480	128 lm/W				
		4000K	4,515	129 lm/W				
		5000K	4,550	130 lm/W				
	30W	3500K	3,930	131 lm/W				
		4000K	3,960	132 lm/W				
		5000K	3,990	133 lm/W				

### PHYSICAL SPECIFICATIONS



PROJECT	
TYPE	
CATALOG #	

## SENSOR INFORMATION

**Bi-level Dimming:** 0–10V dimmer connects to 0–10V control on the LED driver. When motion is detected the sensor will bring lighting up to 100% lumen output. When no motion is detected for the length of selected Time Delay, the sensor will send a signal to dim lighting to a specific level set by the end-user.

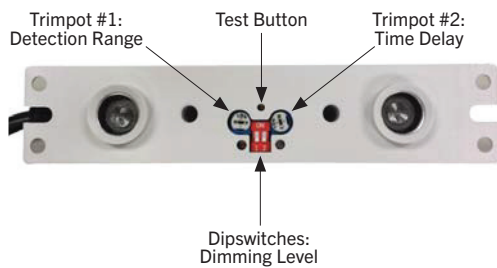
**Test Mode:** Test Mode sets the time delay to five seconds and runs for 5 minutes. LED flashes 2 times to indicate Test Mode started. After 5 minutes (or push the Test Mode button again), LED flashes 3 times, the sensor returns to the selected time delay. During test mode, full output when triggered, and dimming level reflects the dip switch setting.

**Relay Control:** Two additional High and Low motion outputs can be used to control relays or other control circuitry.

<b>Sensor Type</b>	Ultrasonic occupancy sensor
<b>Input Voltage   Current Consumption</b>	12–24VDC   45mA sensor
<b>0–10V Output</b>	100mA, up to 50 LED sink drivers
<b>High</b>	Vin–2.5V 100mA source
<b>Low</b>	100mA sink current
<b>Mounting Height</b>	Fixture wall mount or ceiling mount at 8–12' (2.4–3.7m)
<b>[Low/Med/High] Max Range* (Wall-Mounted)</b>	13' (4.0m) / 18' (5.5m) / 35' (10.7m)
<b>Time Delays (TD1)</b>	1 min, 5 min, 20 min
<b>Operating Temperature</b>	–30°C/–22°F to 70°C/158°F
<b>Storage Temperature</b>	–40°C/–40°F to 80°C/176°F
<b>Relative Humidity</b>	90–95% non-condensing at 30°C/86°F
<b>Color</b>	White
<b>Warranty</b>	5 years

*\*Results may vary based on mounting height, angle, floor material, and line-of-sight.*

## SETTINGS ADJUSTMENTS

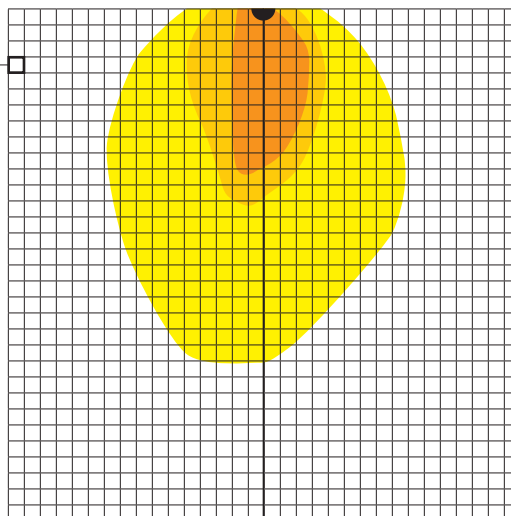


Dipswitch 1	Dipswitch 2	DIM Level
OFF	OFF	OFF
OFF	ON	10%
ON	OFF	25%
ON	ON	50%

## LIGHTING COVERAGE AND DISTRIBUTION PATTERN

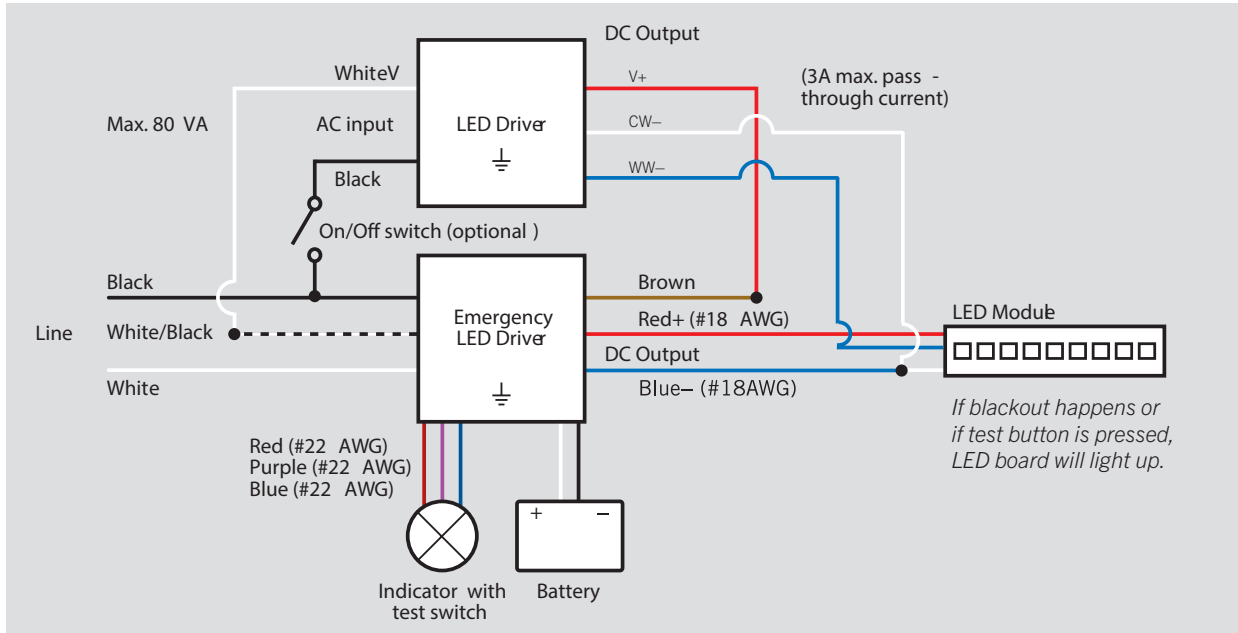
- Photometric layout for general reference only
- Stairwell fixture wall-mounted at 7.9 ft
- Aerial view
- Grid dimension: 1.64 sq ft (0.5 sq m)

- High Coverage
- Medium Coverage
- Low Coverage

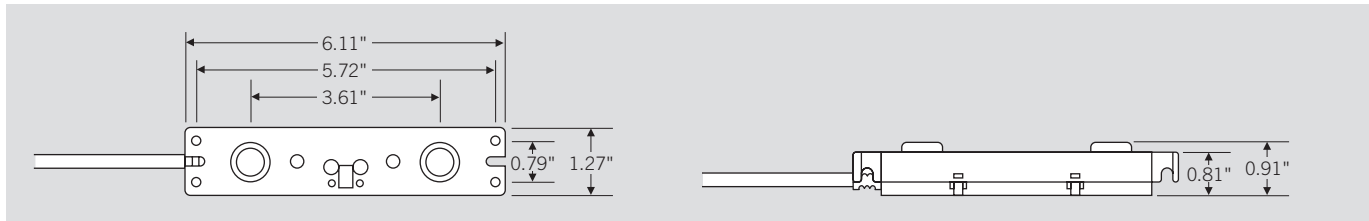


PROJECT	
TYPE	
CATALOG #	

## EMERGENCY PACK WIRING DIAGRAM



## SENSOR SPECIFICATIONS



## ORDERING INFORMATION

Catalog Number	Pack Quantity	Easy Code	UPC
SW-LED-4A-45PS-8CSA	TBD	TBD	TBD