

Project:	
Type:	
Catalog #:	

STANDARD

OPTIONAL



ILLUMINATION

- Sealed and gasketed weather proof lamp heads with tempered glass lenses.
- 7.2W incandescent wedge base lamps.

ELECTRICAL

- Dual 120/277 voltage.
- Charge rate/power "ON" LED indicator light and push-to-test switch for mandated code compliance testing.
- LVD (low voltage disconnect) prevents battery from deep discharge.
- 6V maintenance-free, rechargeable Sealed lead acid battery.
- Internal solid-state transfer switch automatically connects the internal battery to lamp heads for minimum 90-minute emergency illumination.
- Fully automatic solid-state, two-rate charger initiates battery charging to recharge a discharged battery in 24 hours.

MOUNTING

- External mounting brackets for simplified wall mounting provided.

HOUSING

- Corrosion-resistant 5VA flame retardant, UV-stabilized polycarbonate in gray finish.
- Sealed and gasketed housing with hinged cover.
- Sealed test switch.
- Integral breather vent.

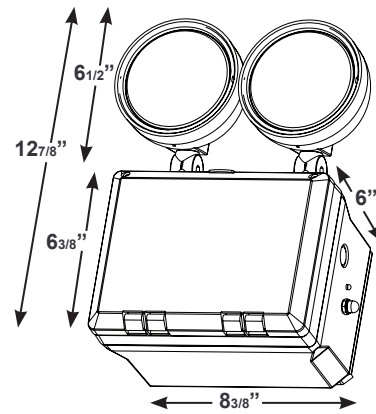
OPTIONS

- HTR: Optional internal heater for cold temperature applications.
- USA: Substantial transformation assembly in the U.S. complies with "Assembled in the USA" under the Buy American Act.

WARRANTY/LISTING

- Five year warranty on all electronics and housing. Batteries are pro-rated warranted for two years.
- Meets UL924, NFPA 101 Life Safety Code, NEC, OSHA, Local and State Codes.
- UL listed for wet locations. (5°C – 40°C)

DIMENSIONS



ORDERING INFORMATION

Sample Part Number: TFX-2

Special Voltage options available.
Check with your Best Lighting representative.

Model	Options
TFX-2	HTR Internal Heater
	USA Assembled in the USA
	RC Remote Capable

Project:	
Type:	
Catalog #:	

ELECTRICAL INFORMATION

Catalog Number	Input Watts (W)		Input Amps (A)	
	120V	277V	120V	277V
TFX-2	8.5	10.0	0.073	0.040

CENTER-TO-CENTER SPACING GUIDELINES

For reference only.



1	0.08	0.09	0.10	0.10	0.17	0.21	0.23	0.28	0.37	0.32	0.43	0.39	0.47	0.32	0.34	0.30	0.21	0.19	0.19	0.09	0.08	0.08	0.08	0.06	
2	0.07	0.08	0.09	0.11	0.16	0.22	0.24	0.30	0.42	0.39	0.55	0.45	0.51	0.37	0.39	0.37	0.20	0.20	0.20	0.12	0.10	0.10	0.08	0.07	
3	0.07	0.08	0.10	0.12	0.14	0.30	0.39	0.74	0.89	0.77	0.74	0.59	0.56	0.45	0.42	0.41	0.18	0.16	0.16	0.12	0.06	0.05	0.05	0.05	
4	0.07	0.08	0.09	0.13	0.23	0.42	0.50	0.89	1.30	1.45	1.68	1.56	1.30	1.10	0.86	0.57	0.14	0.14	0.13	0.11	0.08	0.06	0.05	0.05	
5	0.07	0.10	0.12	0.18	0.30	0.40	0.85	1.49	1.81	1.94	2.00	1.77	1.69	1.35	1.06	0.68	0.41	0.15	0.12	0.12	0.08	0.05	0.04	0.03	
6	0.05	0.07	0.11	0.15	0.22	0.31	0.60	1.30	1.53	1.69	1.74	1.72	1.66	1.38	1.10	0.65	0.45	0.18	0.14	0.12	0.10	0.07	0.04	0.04	
	11	10	9	8	7	6	5	4	3	2	1	0	1	2	3	4	5	6	7	8	9	10	11	12	13

Meets NFPA101 Requirements for: 14' center-to-center spacing - 3' path of egress 3' from the wall- 7 1/2' mounting height.

REMOTE LAMP COMPATIBILITY

	Maximum Wattage Allowed
TFX-2	15

Remote Head Family	Total Wattage
RH1-6V5.4W	5.4
RH1-6V7.2W	7.2
RH1-6V9W	9
RH1-6V12W	12
RH2-6V5.4W	10.8
RH2-6V7.2W	14.4
RHR-1-6V5.4W	5.4
RHR-1-6V7.2W	7.2
RHR-1-6V9W	9
RHR-1-6V12W	12
RHR-2-6V5.4W	10.8
RHR-2-6V7.2W	14.4
RH16-1-6V5W	5
RH16-2-6V5W	10
RH1-WP-6V5.4W	5.4
RH1-WP-6V7.2W	7.2
RH1-WP-6V9W	9
RH1-WP-6V12W	12
RH2-WP-6V5.4W	10.8
RH2-WP-6V7.2W	14.4