

PROJECT	
TYPE	
CATALOG #	



### 2x4' LED DoorFrame Retrofit Kit, 120-277V, 0-10V Dimming

#### PRODUCT FEATURES

- CCT Selection: Adjust CCT between 3500K, 4000K, or 5000K
- Wattage Selection: Adjust Wattage between 45W, 38W, and 30W
- Used to Upgrade existing 2x4 fluorescent recessed troffer, without modifying existing fixture mounting.
- Powered by 0 –10V dimming LED drivers with 12V Aux
- Ambient operating temperature: -20°C/-4°F to 50°C/122°F
- Available with optional integral occupancy sensor accessory
- Low optical flicker
- THD: < 20%
- Power factor > 0.95



#### POWER AND COLOR TEMPERATURE SELECTABILITY

- CCT Selection: Adjustable CCT (3500K/4000K/5000K)
- Wattage Selection: Adjustable Wattage (45W/38W/30W)

#### PRODUCT SPECIFICATIONS

Catalog Number	Input Voltage	Wattage	CCT	Lumen Output	Efficacy	CRI	Power Factor	Lifetime
TRK-LED-24B-45PS-8CSA	120–277V	45W	3500K	5,760	128 lm/W	> 80	> 0.90	50,000 hrs
			4000K	5,805	129 lm/W			
			5000K	5,850	130 lm/W			
		38W	3500K	4,978	131 lm/W			
			4000K	5,016	132 lm/W			
			5000K	5,054	133 lm/W			
		30W	3500K	4,110	137 lm/W			
			4000K	4,140	138 lm/W			
			5000K	4,170	139 lm/W			

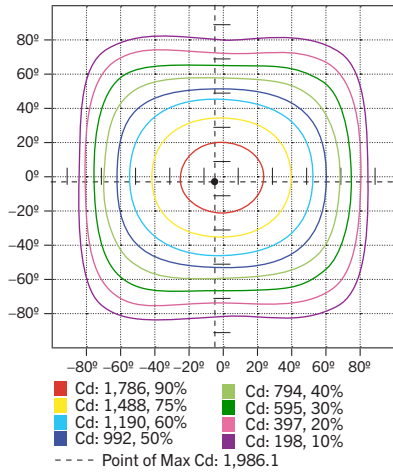
#### ONE CATALOG NUMBER WITH 9 DIFFERENT OPTIONS

\* Preset to highest lumen output (45W / 5000K)

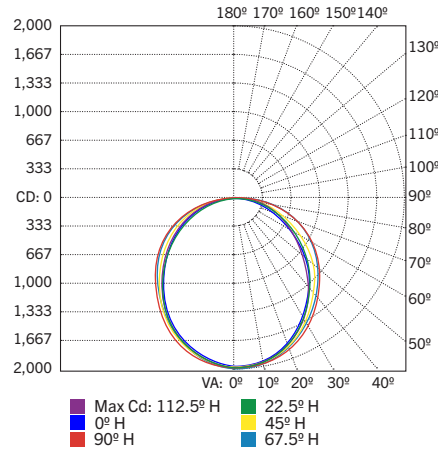
\* Color Uniformity: CCT (Correlated Color Temperature) range as per guidelines outlined in ANSI C78.377-2017.

PROJECT	
TYPE	
CATALOG #	

### PHOTOMETRIC SPECIFICATIONS



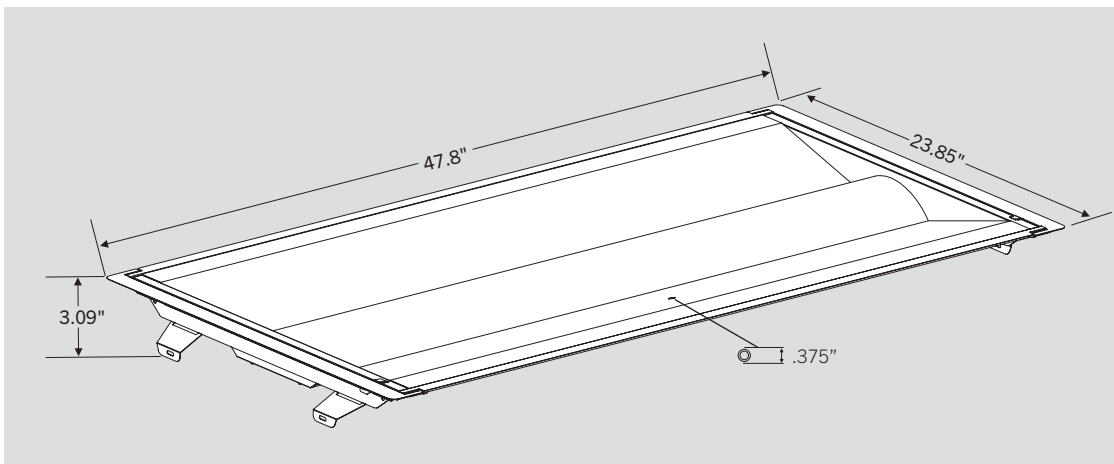
### POLAR CANDELA



### ZONAL LUMEN SUMMARY

Zone	Lumens	% Luminaire
0-60	4,408.2	75.50%
60-90	1,415.4	24.20%
0-90	5,823.5	99.70%
90-180	15.9	0.30%
0-180	5,839.5	100%

### PHYSICAL SPECIFICATIONS



### ORDERING INFORMATION

Catalog Number	Pack Quantity	Easy Code	UPC
TRK-LED-24B-45PS-8CSA	TBD	FKP-94	843654135342