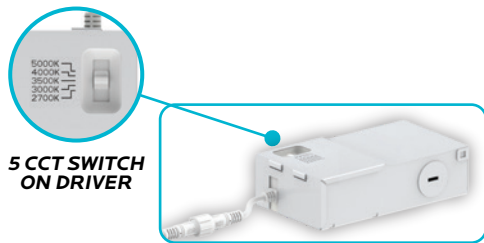
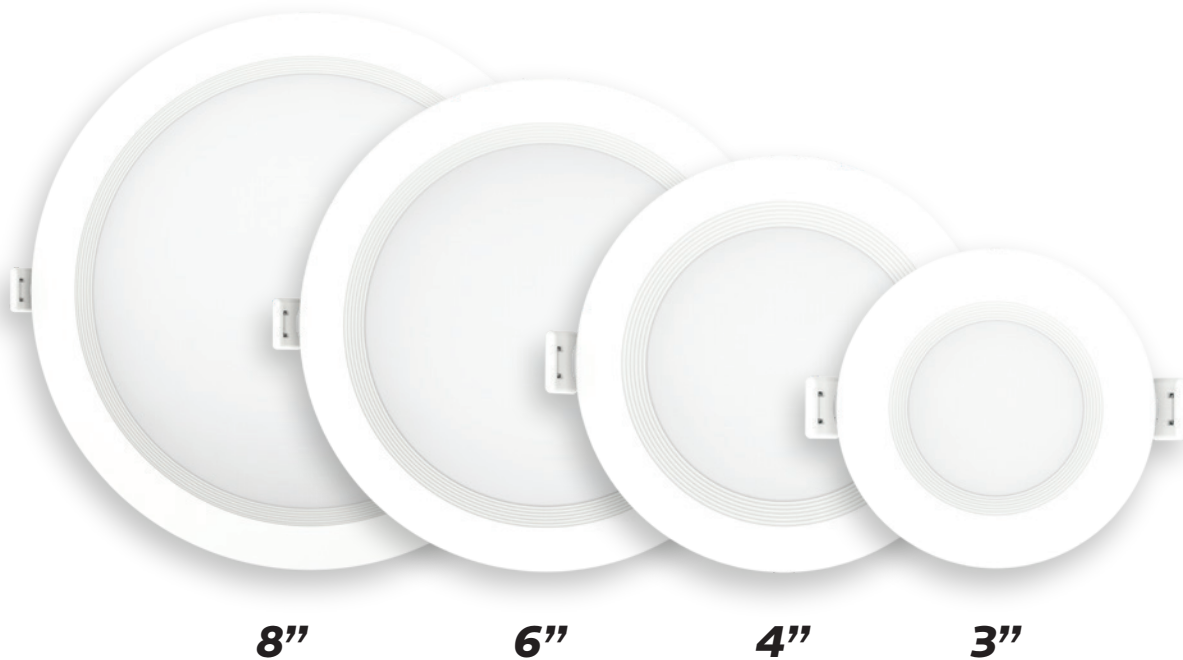


Project:	
Type:	
Catalog #:	

RECESSED
MINI PANEL - BAFFLED TRIM
5 CCT SELECT
3", 4", 6", 8"



COMPATIBLE WITH:
35123
EM LED DRIVER
41002
NEW CONSTRUCTION MOUNTING PLATE



Project:	
Type:	
Catalog #:	

Baffled Wafer 3", 4", 6", 8"

SPECIFICATION

ELECTRICAL

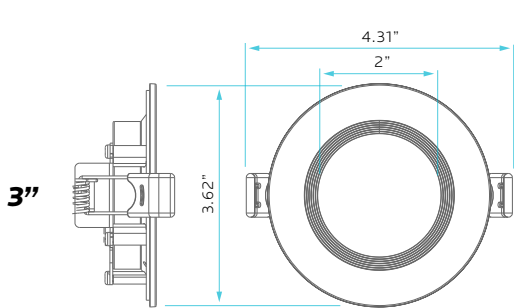
	MODEL	DESCRIPTION	POWER	INPUT VOLTS	DIMMABLE	FREQUENCY	LUMEN EFFICACY	LIFETIME	
ROUND BAFFLED	3"	23730	LED/MINI3/PANEL/5CCT/RD/B	6	120V	YES	60Hz	66	50,000
	4"	23731	LED/MINI4/PANEL/5CCT/RD/B	10.5	120V	YES	60Hz	71.4	50,000
	6"	23732	LED/MINI6/PANEL/5CCT/RD/B	14	120V	YES	60Hz	82	50,000
	8"	23733	LED/MINI8/PANEL/5CCT/RD/B	23	120V	YES	60Hz	78	50,000

PHOTOMETRIC

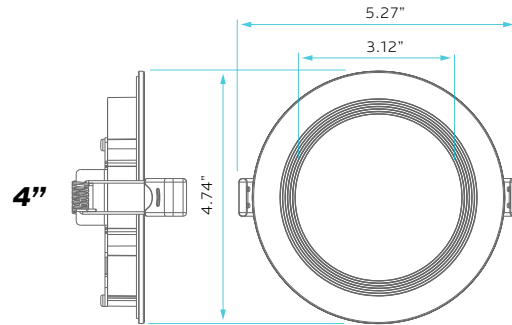
MODEL	COLOR (CCT)	TEMP	LUMEN	CRI	CASE	IC RATED	WET LOCATION	COST/YR	TITLE 24	UL	ENERGY STAR
23730	2700K/3000K/3500K/4000K/5000K	CCT SELECT	400	90	6	YES	YES	\$1.45	YES	YES	YES
23731	2700K/3000K/3500K/4000K/5000K	CCT SELECT	750	90	6	YES	YES	\$1.45	YES	YES	YES
23732	2700K/3000K/3500K/4000K/5000K	CCT SELECT	1150	90	6	YES	YES	\$1.81	YES	YES	YES
23733	2700K/3000K/3500K/4000K/5000K	CCT SELECT	1800	90	6	YES	YES	\$1.81	YES	YES	YES

GENERAL

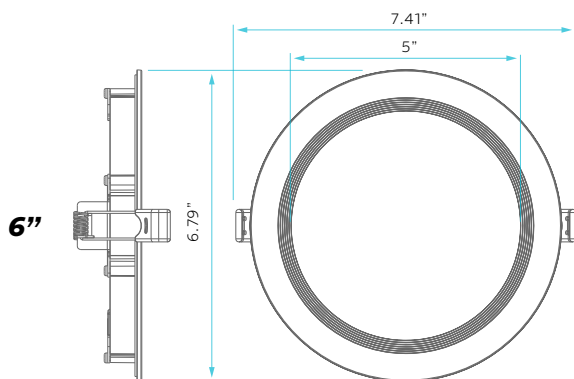
DIMENSIONS



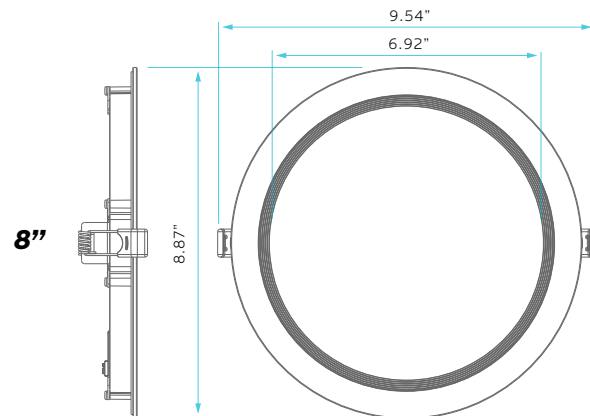
CUTOUT: Ø 3"



CUTOUT: Ø 4.29"



CUTOUT: Ø 6.3"



CUTOUT: Ø 8.3"